


IZ600SP4G Technical Datasheet

4G Solar-powered AI Camera

Rev. A



Key Features and Benefits

- ✓ Designed for Parking Enforcement and Security
- ✓ Compact design for flexible installation and ease of operation
- ✓ Cost-effective solution with everything you need for ALPR
- ✓ Solar power and 4G communications eliminates costly wiring
- ✓ Radar triggering for low power consumption during wait times
- ✓ GPS for accurate location information
- ✓ Easy configuration via mobile devices
- ✓  Integrated with IZCloud
- ✓ Wide temperature range – operating from -4°F to 140°F (-20°C to 60°C)
- ✓ IP66 ingress protection against moisture
- ✓ NDAA Section 889 compliant

Camera Specifications

Item		Specification
Supported Analytics	LPR Analytics	Plate Recognition, State Identification, Plate Type
	Vehicle Analytics	Vehicle Detection, Classification, Color, Make; Vehicle Without Plate
FoV Coverage*		<ul style="list-style-type: none"> S - 13-26 ft (4-8 m) (H) x 7-13 ft (V) (2-4 m) L - 11-22 ft (3-7 m) (H) x 7-13 ft (V) (2-4 m)
LPR Capture Distance*		<ul style="list-style-type: none"> S - Short Distance: 13-26 ft (4-8 m) L - Long Distance: 33-66 ft (10-20 m)
Max Vehicle Speed		<ul style="list-style-type: none"> S - Up to 19 mph (30 km/h) L - Up to 43 mph (70 km/h)
Illumination Wavelengths		<ul style="list-style-type: none"> RL - Red Light (740 nm) IR - Infrared (850 nm)
Camera	Sensor	1/2.8" Progressive Scan CMOS
	Resolution	2 MP - 1920 (H) x 1080 (V)
	Lens	<ul style="list-style-type: none"> S - 6 mm fixed focal L - 16 mm fixed focal
	FoV Angle	<ul style="list-style-type: none"> S - H 52.8° / D 60.4° / V 29.7° L - H 19.4° / D 22.2° / V 11°
	Image Compression	JPEG
	Day/Night Mode	Day/Night/Auto
Data Storage		Supports microSD/SDHC/SDXC Card Local Storage, up to 256 GB
GPS		Built-in High-accuracy GPS Module
Radar Working Frequency		24 GHz

Item		Specification
Wireless Network	WiFi	802.11n/802.11g
	Cellular (LTE Bands)	4G for North America (NA): B2/B4/B5/B12/B13/B25/B26 Suggested providers**: Verizon, AT&T
	SIM Card	Nano SIM
Solar Power	Power	≥ 35W
	OCV	< 22V
	Connector	MC4
Direct & Battery Power	Power Supply Connector	USB Type-C
	Battery	7.2V, 6400mAh, 46.08Wh
	Operational Temperature	<ul style="list-style-type: none"> Charge: -4°F to 113°F (-20°C to 45°C) Discharge: -4°F to 140°F (-20°C to 60°C)
	Battery Life	Power is 70% after 500 times of accumulative charging and discharging
Power Consumption	Detection Status	288mW Normal
	Capture Status	1.166W Normal
	Night Capture Status	5.9W MAX
Environmental	Ingress Protection	IP66
	Operating Temperature	-4°F to 140°F (-20°C to 60°C)
Certifications	EMC	CE-EMC (EN 55032, EN 55035), FCC (PART 15B), RCM (AS/NZS CISPR 32)
	RoHS	CE-ROHS (Directive (EU) 2015/863 amending 2011/65/EU)
	NDAA	NDAA Section 889 compliant
Physical	Dimensions (H x W x D)	6.9" x 4.4" x 3.0" (175 mm x 111 mm x 76.5 mm)***
	Weight	2.3 lbs (1040 g)

Item	Specification
Accessories Included	USB power cable for camera
	Solar Panel, including mounting hardware and power cable
	3-axis Ball Mounting Bracket and slotted bands (for pole)
	Rain Cover, adjustable

* For U.S.A. plates; LPR Capture Distance is measured from camera to plate along the road

** Based on publicly available information; verify supported bands with your local provider

*** Including rain cover and solar panel power connector

Solar Panel Specifications

Item		Specification
Electrical	Maximum Power	45
	Open Circuit Voltage	18.44
	Short-Circuit Current	3.01
	Voltage at Pmax	15.93
	Current at Pmax	2.82
	Module Efficiency	20.37
	Power Tolerance	0, +4.99 W
	Maximum System Voltage(V)	700 VDC (IEC/UL)
	Maximum Series Fuse Rating	10 A
Mechanical	External Dimensions (H x W x D)	15.2" x 22.8" x 2.7" (385 mm x 580 mm x 69 mm)****
	Weight	9.3 lbs (4.2 kg)
	Solar Cells	Mono crystalline 7.2"x1.4" (182x36.4 mm) (3x9pcs)
	Front Glass	0.13 in (3.2 mm) tempered glass
	Frame	Aluminum
	Junction Box Ingress Protection	IP67
	Output Cables	1.6 ft (50 cm), length can be customized
	Connector	MC4 Compatible
	Mechanical Load	Front Side Max. 5400Pa; Rear Side Max. 2400Pa

Item		Specification
Temperatures	Pmax Temperature Coefficient	-0.350%/°C
	Voc Temperature Coefficient	-0.270%/°C
	Isc Temperature Coefficient	+0.048%/°C
	Operating Temperature	-40°F to 183°F (-40°C to 85°C)
	Nominal Operating Cell Temperature(NOCT)	113±3.6°F (45±2°C)

**** Panel depth does not include a mounting bracket (typically attached to the rear frame of the panel)

Ordering Information

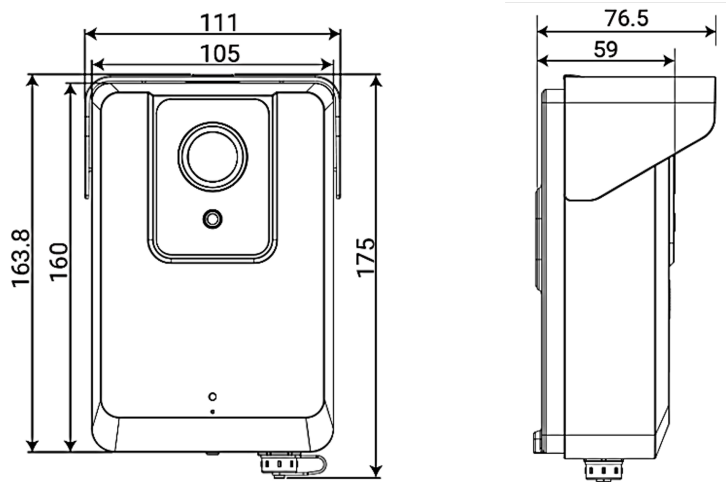
Each hardware part number includes the items in the Standard Package Contents section.

Part Number	Description
Hardware	
IZ600SP4G-S-RL-NA	13-26 ft (4-8 m) range, Red Light illumination, North American LTE bands
IZ600SP4G-S-IR-NA	13-26 ft (4-8 m) range, Infrared illumination, North American LTE bands
IZ600SP4G-L-RL-NA	33-66 ft (10-20) m range, Red Light illumination, North American LTE bands
IZ600SP4G-L-IR-NA	33-66 ft (10-20) m range, Infrared illumination, North American LTE bands
Cloud License	
IZCloud-1SPC	IZCloud Solar-powered Camera single-channel subscription, provided as Software as a Service (SaaS)

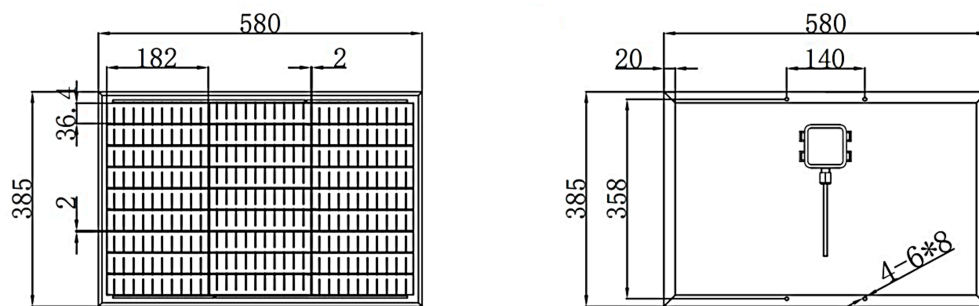
Standard Package Contents

- IZ600SP4G 4G Solar-powered AI Camera with adjustable rain cover
- 3-axis Ball Mounting Bracket
- Slotted bands for pole mounting
- Mounting hardware and cables
- Solar panel (packaged separately)

Camera Dimensions (mm)



Solar Panel Dimensions (mm)



Inex Technologies, LLC
155 Willowbrook Blvd., Suite 130
Wayne, NJ 07470, USA
+1-865-671-1400
www.inextechnologies.com
Sales@inextechnologies.com
Support@inextechnologies.com

© Inex Technologies, LLC - All rights reserved. Specifications are subject to change without notice. All third-party trademarks are the property of their respective owners.

Doc. No. IZ600SP4G-REV-A-TDSHEET Ver. 2026-06-09

This page was built using the Antora default UI.

The source code for this UI is licensed under the terms of the MPL-2.0 license.