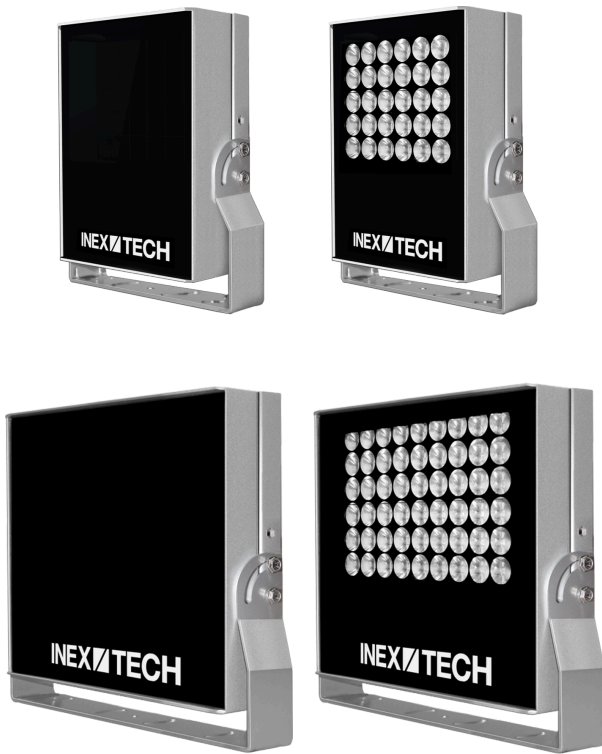


IZSVES Technical Datasheet

Strobe Illuminator Series

Rev. F



Key Features and Benefits

- ✓ Designed for ITS and Tolling Applications
- ✓ Smart lighting technology - for optimum performance
- ✓ Works with VES All-in-one AI Camera Systems
- ✓ Single-cable and one power supply for easy installation and minimum infrastructure
- ✓ Wide temperature range - operating from -13°F to 140°F (-25°C to 60°C)
- ✓ IP66 ingress protection against extreme moisture
- ✓ NDAA Section 889 compliant



Specifications

Item	Specification	
LED Illumination	Type	High power LEDs
	Flash Activation	Activated by strobe input (3.3 - 24 VDC, opto-isolated)
	Wavelength (WVLN)	<ul style="list-style-type: none"> • IR = Infrared • DR = Deep Red • CL = Cool White (4000K) • WL = Warm White (3000K)
	Number of LEDs (N)	<ul style="list-style-type: none"> • 1: 30 LEDs • 2: 60 LEDs
	Beam Angle (HxV), degrees	<ul style="list-style-type: none"> • IZSVESN-WVLN-10: H10xV10 • IZSVESN-WVLN-20: H20xV20 • IZSVESN-WVLN-30: H30xV30 • IZSVESN-WVLN-H40: H40xV15 • IZSVESN-WVLN-60: H60xV60 • IZSVES2-IR-H120: H120xV20
Environmental	Ingress Protection	IP66
	Operating Temperature	-13°F to 140°F (-25°C to 60°C)
	Humidity	0% to 90% RH
Certifications	EMC	FCC Part 15, subpart B; CE
	RoHS	RoHS
	Eye Safety	IEC62471: <ul style="list-style-type: none"> • IR wavelength models: Group 2 • DR/CL wavelength models: Group 1
	NDAA	NDAA Section 889 compliant

Item		Specification															
Physical	Dimensions (W x H x D)*	<ul style="list-style-type: none"> IZSVES1: 7.2 x 9.8 x 3.6 in (183 x 250 x 91 mm) IZSVES2: 11.7 x 10.7 x 3.6 in (296 x 271 x 91 mm) 															
	Unit Weight*	<ul style="list-style-type: none"> IZSVES1: 4.2 lbs (1.9 kg) IZSVES2: 6.8 lbs (3.1 kg) 															
	Material	Anodized Aluminum															
	Color	Silver															
Interface	Connector	Power/Strobe/Configuration: Waterproof outdoor 6+PE-pin male connector															
	Configuration Communication Protocol	RS485															
	Strobe Input	3.3 - 24VDC, opto-isolated															
Power	Input Voltage	24 VDC															
	Power Consumption (measured with 0.5 ms pulse width; 24 VDC input)	<table border="1"> <thead> <tr> <th>Model</th> <th>Frequency (Hz)</th> <th>Power (Watts)</th> </tr> </thead> <tbody> <tr> <td>SVES1</td> <td>60</td> <td>25W</td> </tr> <tr> <td>SVES1</td> <td>30</td> <td>13W</td> </tr> <tr> <td>SVES2</td> <td>60</td> <td>50W</td> </tr> <tr> <td>SVES2</td> <td>30</td> <td>25W</td> </tr> </tbody> </table>	Model	Frequency (Hz)	Power (Watts)	SVES1	60	25W	SVES1	30	13W	SVES2	60	50W	SVES2	30	25W
		Model	Frequency (Hz)	Power (Watts)													
		SVES1	60	25W													
		SVES1	30	13W													
SVES2		60	50W														
SVES2	30	25W															
Accessories Included		2-axis outer pan/tilt adjustment bracket															
		Illuminator cable, 15 ft (4.6 m)															
Accessories Available (depending on site requirements)	Illuminator Cable	Illuminator Cable for IZSVES Illuminator (IZCAB-SVES) - different lengths															
	Mounting hardware (in package)	<ul style="list-style-type: none"> Slotted steel bands with worm drive fasteners for 4" and 12" circular gantry mounting, 2 of each size Gantry mounting bracket and screws 															
	Mounting hardware (packed separately)	Wall/pole/gantry mounting options															

* Including outer pan/tilt adjustment bracket

Ordering Information

Product***	Available Part Numbers****	Product Description
<ul style="list-style-type: none">• IZSVES1• IZSVES2	<ul style="list-style-type: none">• IZSVESN-WVLN-10• IZSVESN-WVLN-20• IZSVESN-WVLN-30• IZSVESN-WVLN-H40• IZSVESN-WVLN-60• IZSVES2-IR-H120	IZSVES Strobe Illuminator

*** All models come with a 15 ft cable; different IZCAB-SVES cable lengths can be ordered

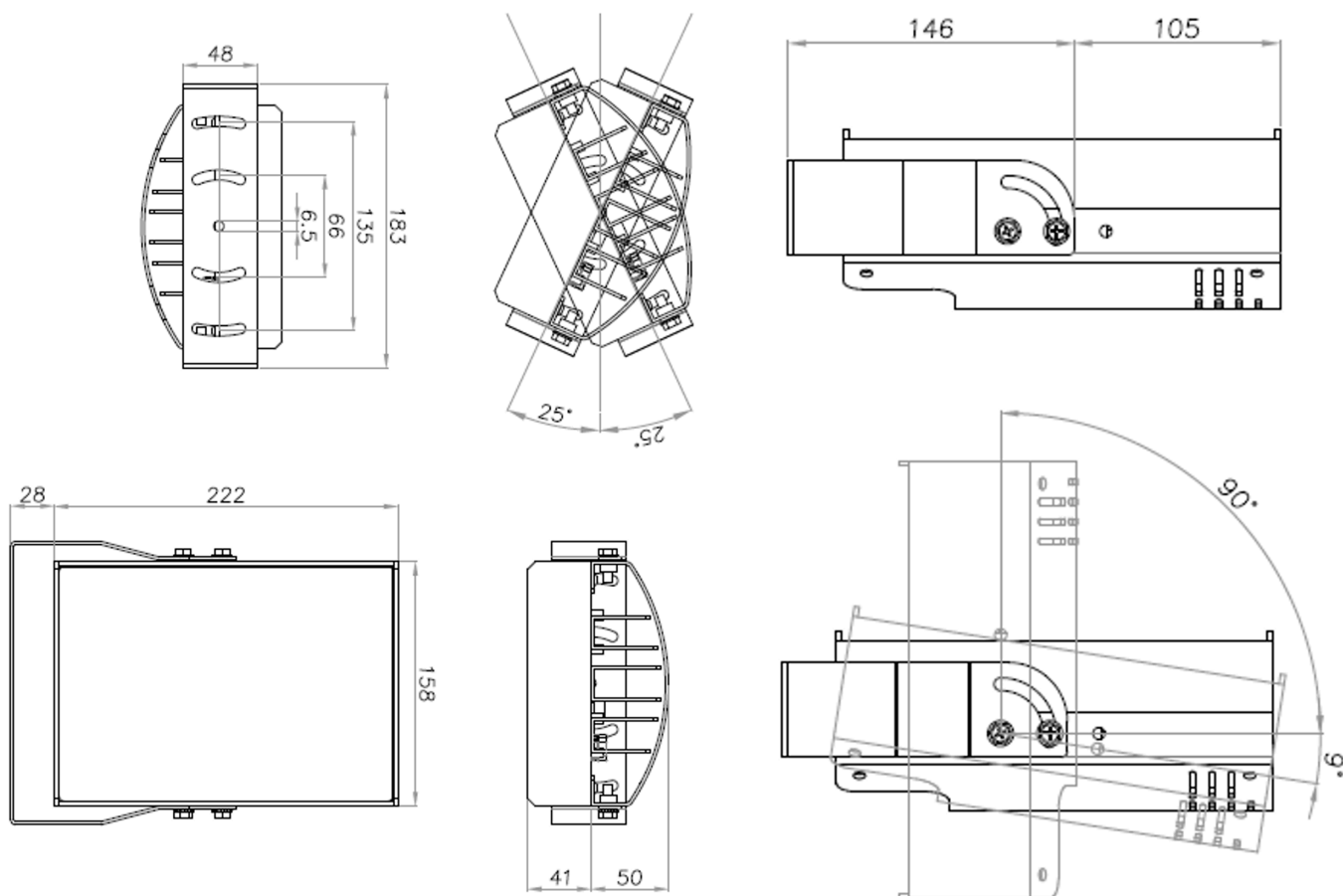
**** IZSVES[1/2]- (IR/DR/CL/WL)-10/20/30/H40/60/H120, where:

- N = 1/2 - number of LEDs: 1=30, 2=60
- WVLN = Wavelength/type of LEDs:
 - IR - Infrared
 - DR - Deep Red
 - CL - Cool White (4000K)
 - WL - Warm White (3000K)
- 10/20/30/H40/60/H120 - LED beam angle, in degrees:
 - 10 = 10x10
 - 20 = 20x20
 - 30 = 30x30
 - H40 = H40xV15
 - 60 = 60x60
 - H120 = H120xV20 (available as IZS2-IR-H120)

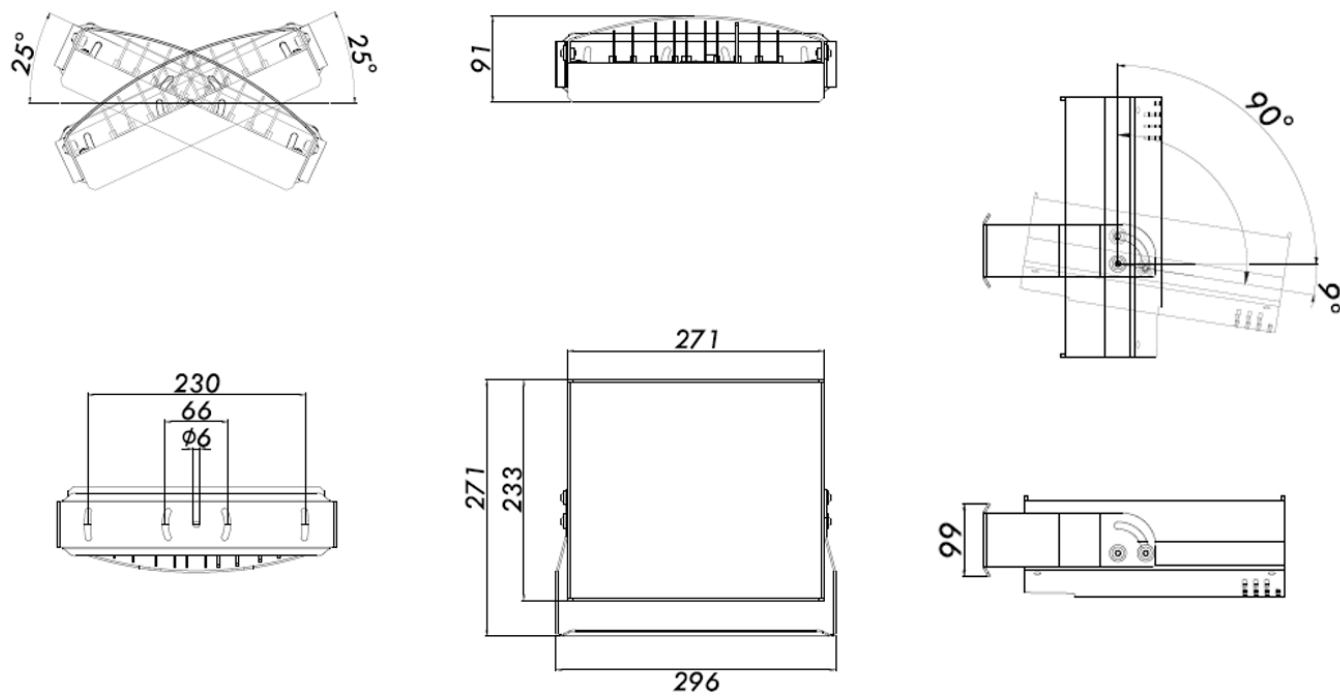
Standard Package Contents

- IZSVES Strobe Illuminator with outer pan/tilt adjustment bracket
- Illuminator cable
- Mounting hardware may be included in your package, or packed separately, depending on your site's requirements.

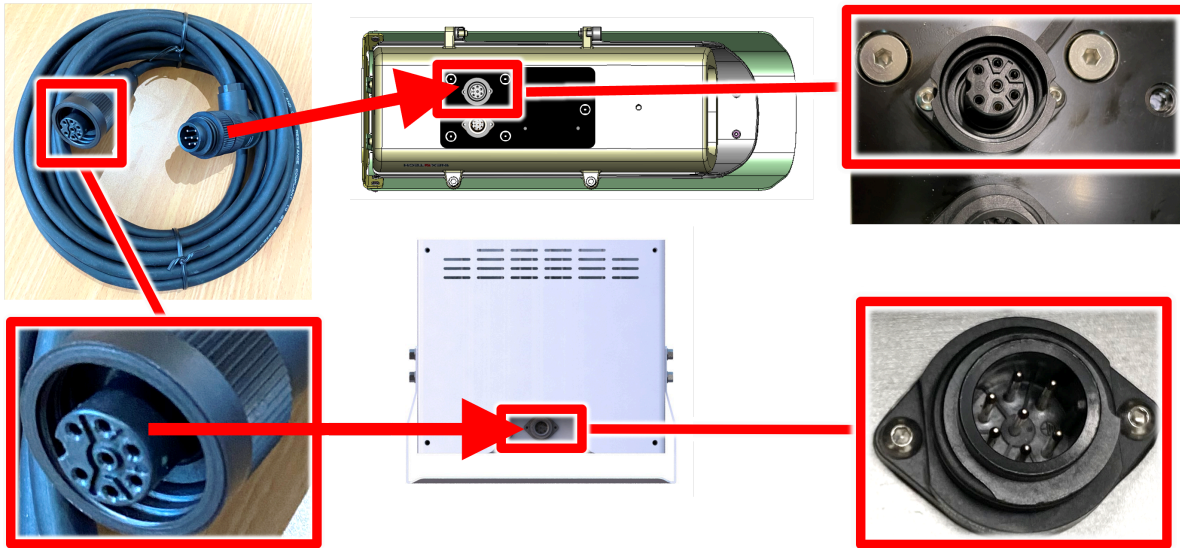
IZSVES1 Dimensions (mm)





IZSVES2 Dimensions (mm)



Cable Connections and Pinouts



Pin	Power/Signal	Wire Color
1	GND	Black
2	+V (24 VDC)	Red
3	RS485 (B-)	White/Orange
4	RS485 (A+)	Orange
5	Strobe (-)	White/Green
6	Strobe (+)	Green
	Drain	Silver

Pin	Power/Signal	Wire Color
1	GND	Black
2	+V (24 VDC)	Red
3	RS485 (B-)	White/Orange
4	RS485 (A+)	Orange
5	Strobe (-)	White/Green
6	Strobe (+)	Green
	Drain	Silver

Inex Technologies, LLC
 155 Willowbrook Blvd., Suite 130
 Wayne, NJ 07470, USA
 +1-865-671-1400
www.inextechnologies.com
Sales@inextechnologies.com
Support@inextechnologies.com

© Inex Technologies, LLC - All rights reserved. Specifications are subject to change without notice. All third-party trademarks are the property of their respective owners.

Doc. No. IZSVES-REV-F-TDSHEET Ver. 2026-05-06

This page was built using the Antora default UI.

The source code for this UI is licensed under the terms of the MPL-2.0 license.