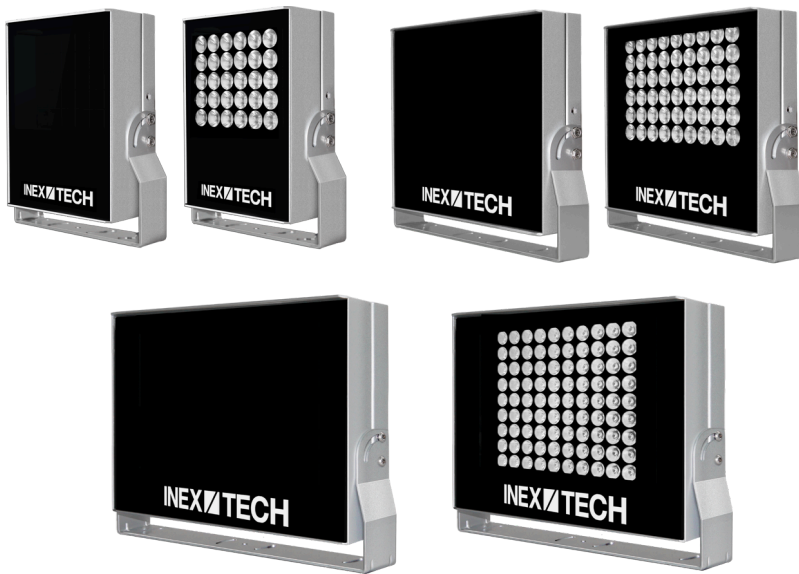


IZS Technical Datasheet

Strobe Illuminator Series

Rev. C



Key Features and Benefits

- ✓ Designed for ITS and Tolling Applications
- ✓ Smart lighting technology - for optimum performance
- ✓ Wide temperature range - operating from -13°F to 140°F (-25°C to 60°C)
- ✓ IP66 ingress protection against extreme moisture
- ✓ NDAA Section 889 compliant



Specifications

Item	Specification	
LED Illumination	Type	High power LEDs
	Flash Activation	Activated by strobe input (3.3 - 24 VDC, opto-isolated)
	Wavelength (WVLN)	<ul style="list-style-type: none"> • IR = Infrared • DR = Deep Red • CL = Cool White (4000K) • WL = Warm White (3000K)
	Number of LEDs (N)	<ul style="list-style-type: none"> • 1: 30 LEDs • 2: 60 LEDs • 3: 90 LEDs
	Beam Angle (HxV), degrees	<ul style="list-style-type: none"> • IZSN-WVLN-10: H10xV10 • IZSN-WVLN-20: H20xV20 • IZSN-WVLN-30: H30xV30 • IZSN-WVLN-H40: H40xV15 • IZSN-WVLN-60: H60xV60 • IZS2-IR-H120: H120xV20
Environmental	Ingress Protection	IP66
	Operating Temperature	-13°F to 140°F (-25°C to 60°C)
	Humidity	0% to 90% RH
Certifications	EMC	FCC Part 15, subpart B; CE
	RoHS	RoHS
	Eye Safety	IEC62471: <ul style="list-style-type: none"> • IR wavelength models: Group 2 • DR wavelength models: Group 1 • CL wavelength models: Group 1
	NDAA	NDAA Section 889 compliant

Item		Specification																				
Physical	Dimensions (W x H x D)*	<ul style="list-style-type: none"> • IZS1: 7.2 x 9.8 x 3.6 in (183 x 250 x 91 mm) • IZS2: 11.7 x 10.7 x 3.6 in (296 x 271 x 91 mm) • IZS3: 14.5 x 11.4 x 4.2 in (368 x 290 x 107 mm) 																				
	Unit Weight*	<ul style="list-style-type: none"> • IZS1: 4.2 lbs (1.9 kg) • IZS2: 6.8 lbs (3.1 kg) • IZS3: 10.1 lbs (4.6 kg) 																				
	Material	Anodized Aluminum																				
	Color	Silver																				
Interface	Configuration Communication Protocol	RS485																				
	Connectors	Power - 2-pin male connector																				
		Signals - 6-pin male connector																				
Strobe Input	3.3 - 24VDC, opto-isolated																					
Power	Input Voltage	24 VDC**																				
	Power Consumption (measured with 0.5 ms pulse width; 24 VDC input)	<table border="1"> <thead> <tr> <th>Model</th> <th>Frequency (Hz)</th> <th>Power (Watts)</th> </tr> </thead> <tbody> <tr> <td>S1</td> <td>60</td> <td>25W</td> </tr> <tr> <td>S1</td> <td>30</td> <td>13W</td> </tr> <tr> <td>S2</td> <td>60</td> <td>50W</td> </tr> <tr> <td>S2</td> <td>30</td> <td>25W</td> </tr> <tr> <td>S3</td> <td>60</td> <td>72W</td> </tr> <tr> <td>S3</td> <td>30</td> <td>36W</td> </tr> </tbody> </table>	Model	Frequency (Hz)	Power (Watts)	S1	60	25W	S1	30	13W	S2	60	50W	S2	30	25W	S3	60	72W	S3	30
Model	Frequency (Hz)	Power (Watts)																				
S1	60	25W																				
S1	30	13W																				
S2	60	50W																				
S2	30	25W																				
S3	60	72W																				
S3	30	36W																				

Item		Specification
Accessories Included		2-axis outer pan/tilt adjustment bracket
		Power cable, 15 ft (4.6 m)
		Signals cable, 15 ft (4.6 m)
Accessories Available (depending on site requirements)	Power Cable	Power Cable for IZS Illuminator (IZCAB-SPWR) - different lengths
	Signals Cable	Signals Cable for IZS Illuminator (IZCAB-SSIG) - different lengths
	Mounting hardware (in package)	<ul style="list-style-type: none"> • Slotted steel bands with worm drive fasteners for 4" and 12" circular gantry mounting, 2 of each size • Gantry mounting bracket and screws
	Mounting hardware (packed separately)	Wall/pole/gantry mounting options
	Power Supply	Power Supply 24 VDC**

* Including outer pan/tilt adjustment bracket

** It is recommended to use an illuminator power supply separate from the camera's supply.

Ordering Information

Product***	Available Part Numbers****	Product Description
<ul style="list-style-type: none">• IZS1• IZS2• IZS3	<ul style="list-style-type: none">• IZSN-WVLN-10• IZSN-WVLN-20• IZSN-WVLN-30• IZSN-WVLN-H40• IZSN-WVLN-60• IZS2-IR-H120	IZS Strobe Illuminator

*** All models come with a 15 ft cable set; different IZCAB-SPWR and IZCAB-SSIG cable lengths can be ordered

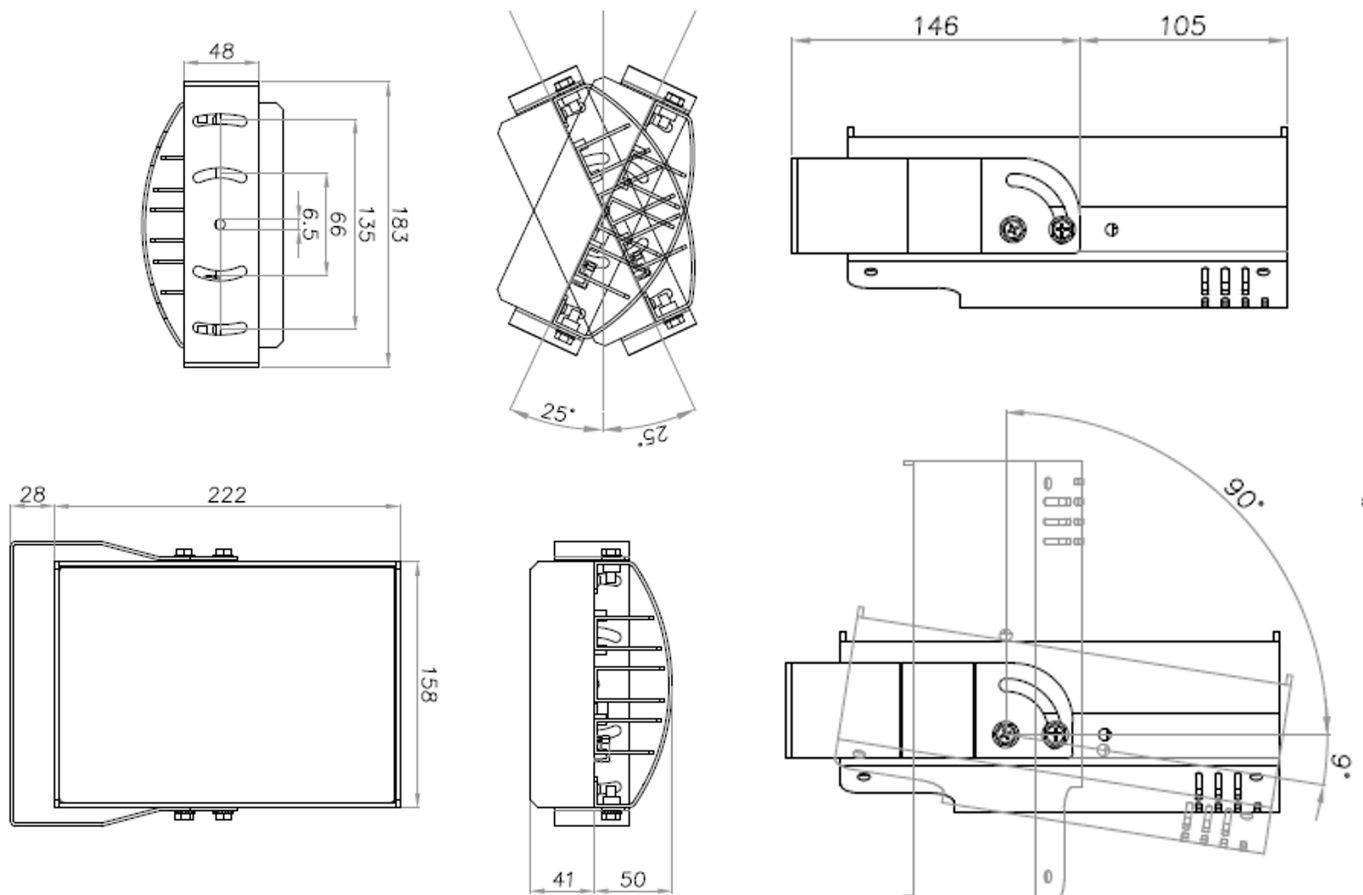
**** IZS[1/2/3]- (IR/DR/CL/WL)-10/20/30/H40/60/H120, where:

- N = 1/2/3 - number of LEDs: 1=30, 2=60, 3=90
- WVLN = Wavelength/type of LEDs:
 - IR - Infrared
 - DR - Deep Red
 - CL - Cool White (4000K)
 - WL - Warm White (3000K)
- 10/20/30/H40/60/H120 - LED beam angle, in degrees:
 - 10 = 10x10
 - 20 = 20x20
 - 30 = 30x30
 - H40 = H40xV15
 - 60 = 60x60
 - H120 = H120xV20 (available as IZS2-IR-H120)

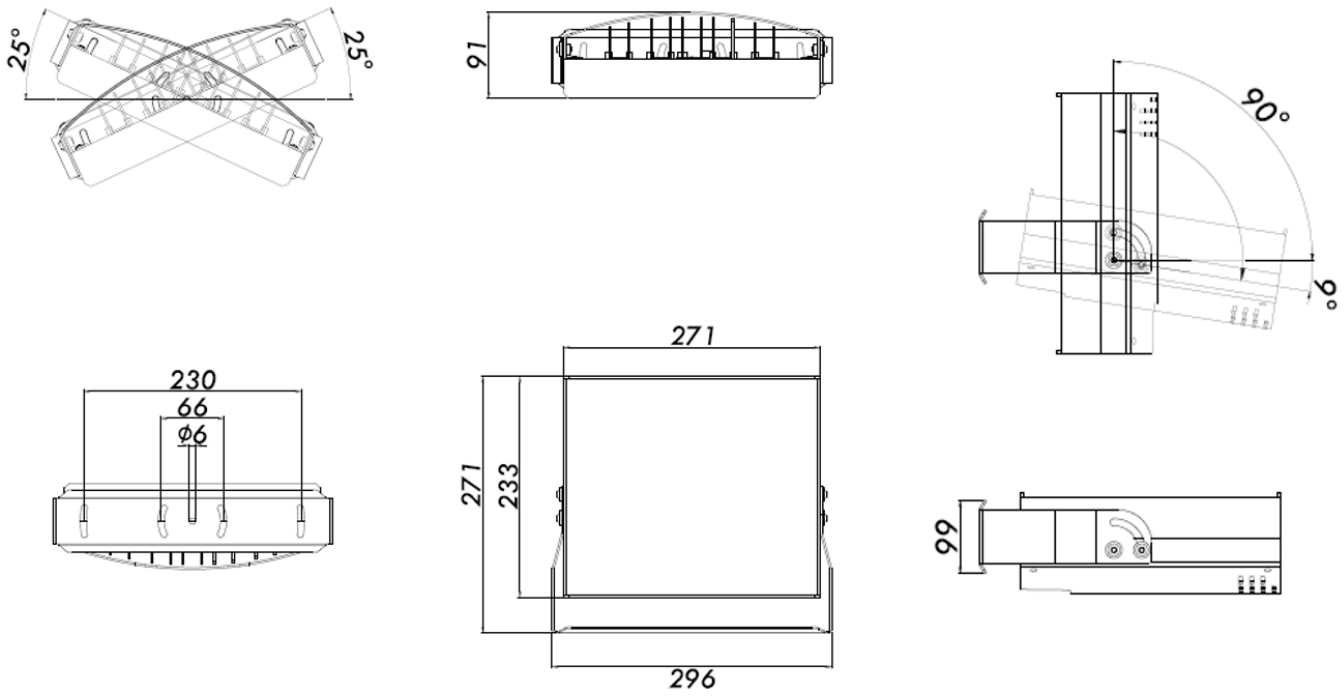
Standard Package Contents

- IZS Strobe Illuminator with outer pan/tilt adjustment bracket
- Power cable
- Signals cable
- Mounting hardware may be included in your package, or packed separately, depending on your site's requirements.

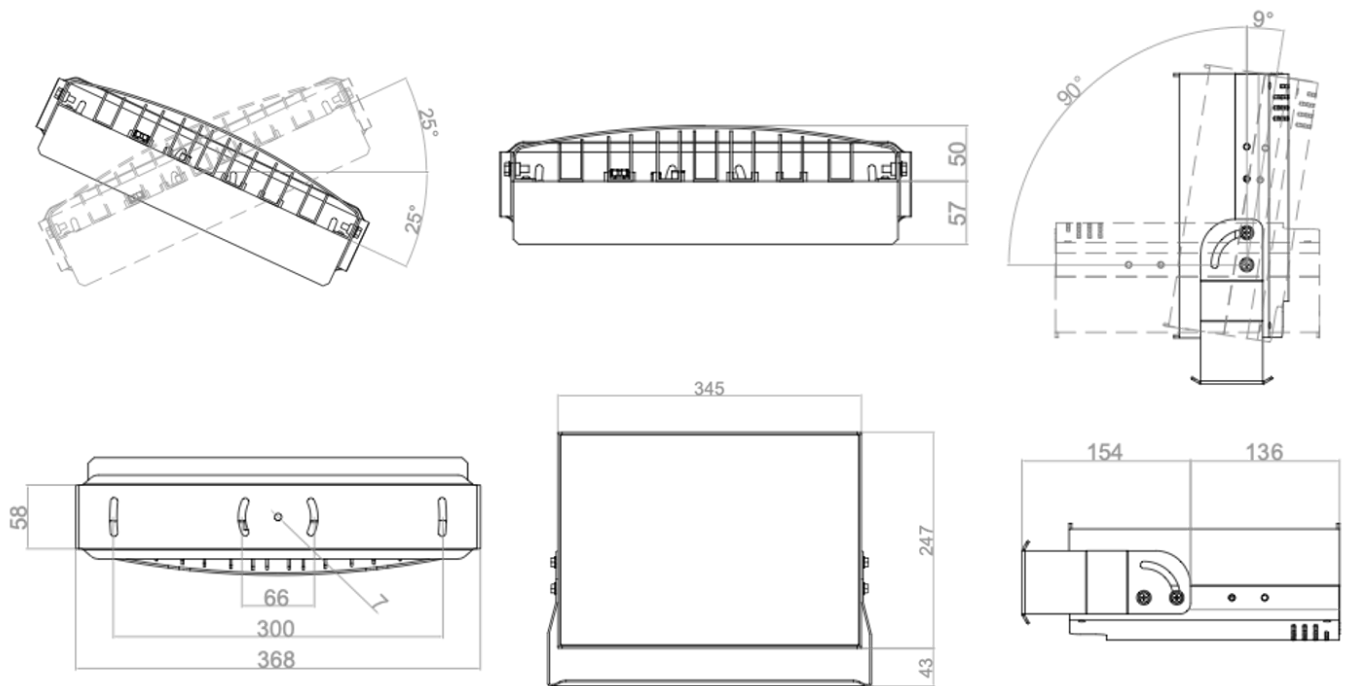
IZS1 Dimensions (mm)



IZS2 Dimensions (mm)



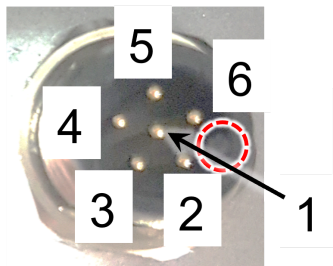
IZS3 Dimensions (mm)



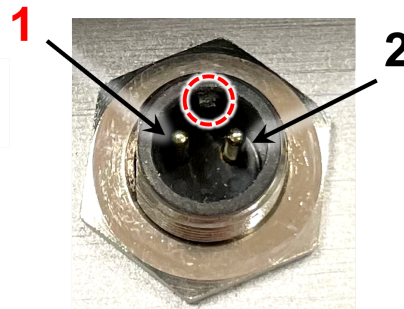
Connector Locations



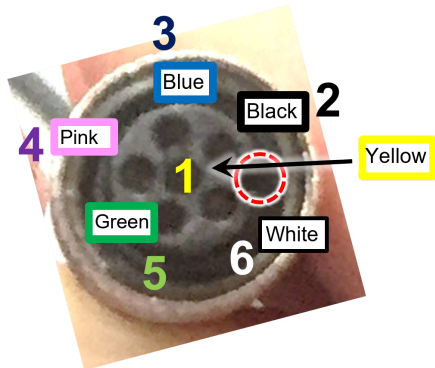
Power/Signals Pinouts



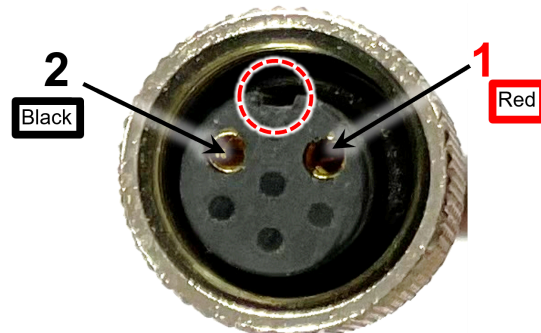
Connector notches indicated by



Pin1 : RED : 24 VDC input
Pin2 : BLACK : Power GND



Pin1 : Yellow : RS485 (+) Input
Pin2 : Black : RS485 (-) Input
Pin3 : Blue : Strobe Input GND
Pin4 : Pink : Unused
Pin5 : Green : Unused
Pin6 : White : Strobe Input (+)



Inex Technologies, LLC
155 Willowbrook Blvd., Suite 130
Wayne, NJ 07470, USA
+1-865-671-1400
www.inextechnologies.com
Sales@inextechnologies.com
Support@inextechnologies.com

© Inex Technologies, LLC - All rights reserved. Specifications are subject to change without notice. All third-party trademarks are the property of their respective owners.

Doc. No. IZS-REV-C-TDSHEET Ver. 2026-05-06

This page was built using the Antora default UI.

The source code for this UI is licensed under the terms of the MPL-2.0 license.