

IZ600F Technical Datasheet

Bullet ALPR Camera

Rev. A

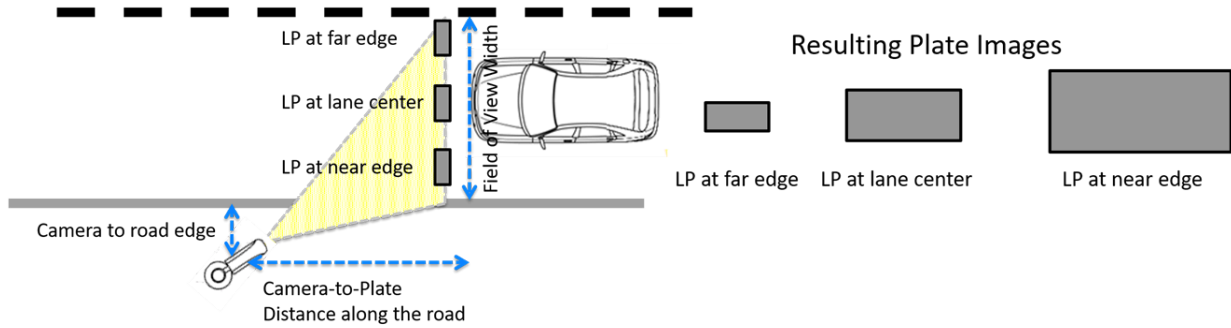


Key Features and Benefits

- ✓ Designed for Parking, Access Control and Security
- ✓ Compact design for flexible installation and ease of operation
- ✓ Cost-effective solution with everything you need for ALPR
- ✓ Motorized zoom and auto-focus – the key to optimized remote tuning
- ✓ Wide temperature range – operating from -4 °F to 140 °F (-20°C to 60 °C)
- ✓ IP67 ingress protection against extreme moisture
- ✓ IK10 vandal-proof housing for efficient, worry-free operation
- ✓ NDAA Section 889 compliant



Specifications



Item		Specification
LPR Imaging	Field of View (FOV)	12 ft (H) x 8 ft (V) (3.7 x 2.4 m)
	Camera to Road Edge distance	1.6 ft (0.5 m) - (typical recommended distance)
	Camera height	1.6-4.9 ft (0.5-1.5 m) - (typical recommended height)
	Camera-to-Plate Distance along the road	5-70 ft (1.5-21 m) (When installed at the recommended height and Camera to Road Edge distance)
	Pixels Per Plate width (US style plates)	Image center - 150 Near Edge - 170-260 Far edge - 80-160 (When installed at the recommended height and Camera to Road Edge distance)
	Pixels Per Plate width (EU style plates)	Image center - 275 Near Edge - 280-430 Far edge - 140-265 (When installed at the recommended height and Camera to Road Edge distance)
	Vehicle Speed Range	Up to 60 mph (0-97 km/h)
LED Illumination	Built-in Illuminator	<ul style="list-style-type: none"> IZ600F-IR: 4 Power Infrared LEDs IZ600F-DR: 4 Power Deep Red LEDs
	Beam Angle	60°x60°

Item		Specification
Image	Day/Night Mode	Day/Night/Auto
	Day/Night Switch	IR Cut Filter with auto switch
	Image Sensor	1/2.8", 3.21M, Progressive Scan CMOS
	Sensor Model	Sony IMX123
	Image Setting	Rotate Mode, Saturation, Brightness, Contrast, Sharpness
	Max. Resolution	2065 (H) × 1553 (V) (approximately 3.21 MP)
	Min. Illumination	Color: 0.05 lux, B&W: 0 lux
	Shutter	Auto, Manual (1/30 - 1/32000)
	Noise Reduction	2D-DNR/3D-DNR
	Wide Dynamic Range (WDR)	True WDR, 120 dB
Lens	Lens	5 - 50 mm, Motorized Zoom and Auto-focus
Video	Video Compression	H.264, H.265, Motion JPEG (MJPEG)
	Video Streaming	Motion JPEG and H.264 Triple Streaming (Simultaneously); Independently controllable frame rate and bandwidth
	Resolution	3 Megapixels - 2048 (H) x 1536 (V)
	Quality Control	Low Compression, highest, high, normal, low, lowest
	Bit Rate Control	VBR, CBR (H.264 only, 32K~12Mbps)
	Frequency Control	60hz, 50hz
	Frame Rate	30 fps @ 2048 x 1536
Network	Supported Protocols	HTTP, RTP/RTSP(Uni/Multicast), TCP/IP(v4/v6), UDP, FTP, Telnet, HTTPS, RARP, PPPoE, SNMP, PAP, CHAP, DHCP, NTP, SMTP client, uPnP
	Dynamic IP	Dynamic DDNS Support
	Security	IP filtering, HTTPS, Encrypted and Basic Authentication

Item		Specification
Environmental	Ingress Protection	IP67
	Operating Temperature	-4 °F to 140 °F (-20°C to 60 °C)
	Humidity	10% - 90% RH
Certifications	EMC	FCC Part 15, subpart B; CE
	Interoperability	ONVIF compliant, Profile S
	Impact Protection	IK10-rated housing (Vandal-proof)
	RoHS	RoHS
	Eye Safety	Exempt
	NDA	NDA Section 889 compliant
Physical	Dimensions (W x H x D)	(including sunshade fully extended) 3.2" x 3.3" x 12.5" (82 mm x 83 mm x 317 mm)
	Weight	~2.76 lbs (~1,250 g)
	Color	White
Interface	Ethernet	10/100 BaseT Ethernet auto sensing
	Connectors	<ul style="list-style-type: none"> • 1 x Ethernet (RJ-45 Female) • 1 x Power (DC barrel jack - Female) • Multi-wire (see the wiring assignments table)
Power	Power Supply	12 VDC (male barrel connector required) or PoE+ (802.3at)
	Power Consumption	<ul style="list-style-type: none"> • Color mode - 5 Watts • B/W mode with LED on - 10-12 Watts
Accessories Included		Camera mount, 3x axes
		Sunshade, adjustable

Item	Specification
Accessories Available	Junction Box
	POE Injector
	Network Switch
	Pole mount adaptor
	Different power supply options available

Ordering Information

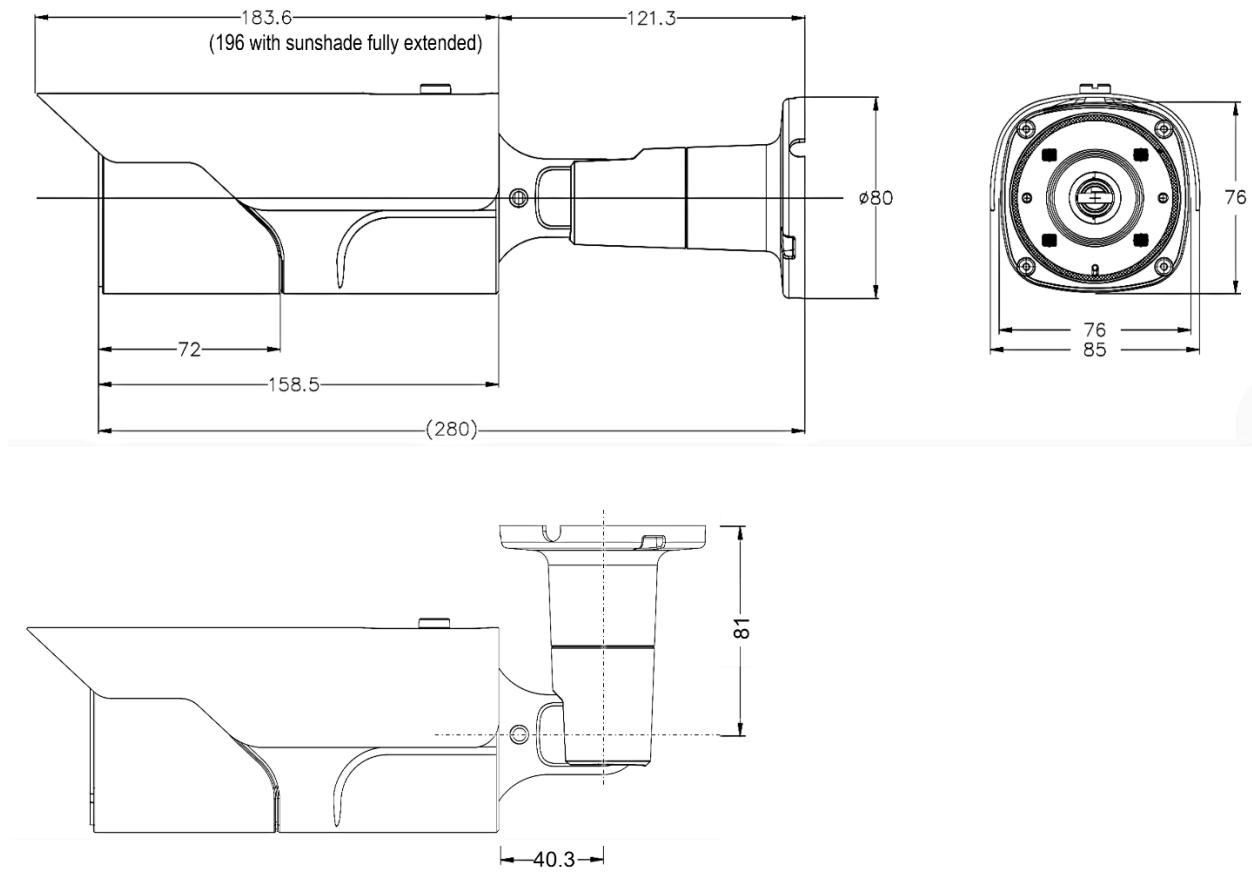
Part Number*	Description
IZ600F-IR	5-70 ft (1.5-21 m) range, Infrared illumination
IZ600F-DR	5-70 ft (1.5-21 m) range, Deep Red illumination

* All models have motorized zoom and auto-focus

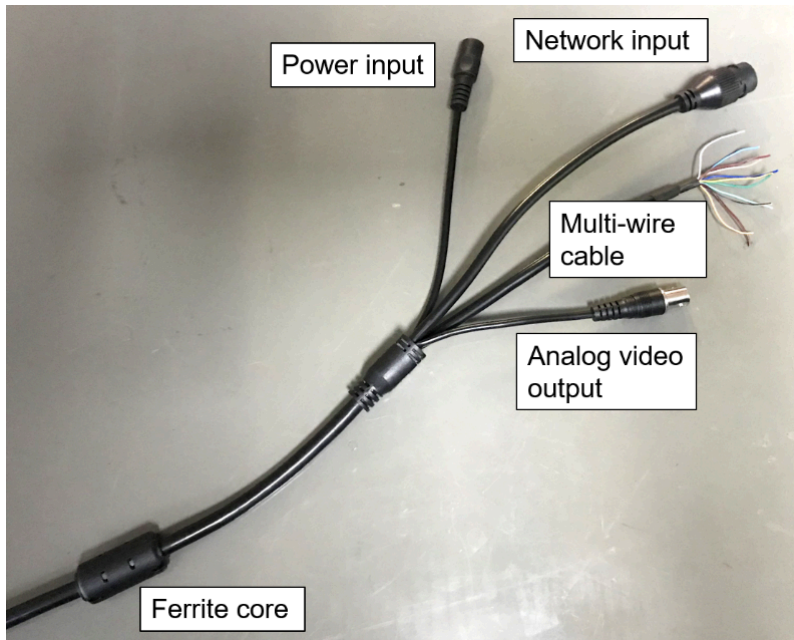
Standard Package Contents

- IZ600F, Bullet ALPR Camera with 3-axis bracket
- LAN cable connector (field-mountable)
- 3 mm Allen/hex key for pan/tilt/roll adjustment
- Screws and anchors to attach the camera to a wall or surface

Dimensions (mm)



Connectors and Wiring Assignments (Pinout)



Connectors
Power input (for 12 VDC) - female barrel connector 5.5 mm outer diameter, 2.1 mm inner pin diameter
RJ-45 network input connection
Multi-wire cable (not used)
Analog video output (BNC connector)

Inex Technologies, LLC
155 Willowbrook Blvd., Suite 130
Wayne, NJ 07470, USA
+1-865-671-1400
www.inextechnologies.com
Sales@inextechnologies.com
Support@inextechnologies.com

© Inex Technologies, LLC - All rights reserved. Specifications are subject to change without notice. All third-party trademarks are the property of their respective owners.

Doc. No. IZ600F-REV-A-TDSHEET Ver. 2026-05-03

This page was built using the Antora default UI.

The source code for this UI is licensed under the terms of the MPL-2.0 license.