

IZ600F Installation Guide

Bullet ALPR Camera



⚠ CAUTION

Inex products must be mounted as described in their Installation Guides. If not, moisture problems may occur - which are not covered by the warranty.

Table of Contents

- 1. Related Documents and Software
- 2. Applicability
- 3. Training and Support
 - 3.1. Training
 - 3.2. Support
- 4. Checklist
- 5. Prepare Components and Tools
 - 5.1. Package Contents
 - 5.2. Required Accessories
 - 5.3. Optional Accessories
 - 5.4. Laptop Computer
 - 5.5. Tools
- 6. Plan Your Site
 - 6.1. Horizontal Field of View (Capture Line)
 - 6.2. Angles and Distances
 - 6.3. Position of the Sun in Relation to the Camera
 - 6.4. Additional Installation Considerations
- 7. Prepare Cables
 - 7.1. Typical Wiring Diagram
 - 7.2. Connectors and Wiring Assignments (Pinout)

- 7.3. Power Connections
- 7.4. Waterproof Cap for Network
- 8. Install Camera(s) and Other Components
- 9. Connect Components (Wiring)
 - 9.1. Waterproofing the Cable Connection Points (Junction Box)
 - 9.2. Connecting the Cables
- 10. Power Up and Set Up IP
 - 10.1. Connecting the Power
 - 10.2. Reserving IP Addresses in your Network
 - 10.3. Set Up IP
- 11. Configure Camera Settings
 - 11.1. Logging In to the Camera
 - 11.2. Live View (link at upper left)
 - 11.3. Admin (link at upper left)
 - 11.4. Logging Out of the Camera
- 12. LPR Camera (Sensor) Configuration
 - 12.1. Setting the Access Level (System > Access Level)
 - 12.2. Enabling the RTSP Service and Port (Network > RTP/RTSP)
 - 12.3. Changing the Camera's IP Address (Network > IP Address)
 - 12.4. Setting the Date & Time (System > Date & Time)
 - 12.5. IZ600F LPR Camera - Video & Audio > Stream Setup
 - 12.6. IZ600F LPR Camera - Video & Audio > Camera Setup
 - 12.7. Configuring Motion Detection (Video & Audio > Motion Detection)
 - 12.8. Hardware Reset (Resets Parameters and Administrator Password)
- 13. Aim and Calibrate
 - 13.1. Preparing a Vehicle/License Plate
 - 13.2. Determining the IP Address of the RoadView Computer with IZ Discovery
 - 13.3. Using RoadView
 - 13.3.1. Logging In
 - 13.3.2. Logging Out
 - 13.4. Calibrating the Camera Using RoadView
- 14. Verify System Operation
- 15. Troubleshooting and Maintenance
 - 15.1. Troubleshooting
 - 15.2. Checking Mounting Screws
 - 15.3. Cleaning the Camera
- 16. Notices
 - 16.1. Inex Technologies End User Agreement
 - 16.2. Safety Precautions
 - 16.3. Regulatory Notices

- 16.4. Documentation Notices
- 17. Document Change History

1. Related Documents and Software

Table 1. Related Documents and Software

Doc. No.	Title
IZ600F-MAN-002a	IZ600F User Guide
IZ600F-TECH-004	IZ600F Quick Start Guide
IZ600F-REV-x-TDSHEET	IZ600F Technical Data Sheet
MOUNT-IZ600F-PRSNT-010	IZ600F Camera Mount Installation documentation
IZ Discovery Utility	IZ Discovery Utility software components
IZDISCOVERY-MAN-001	IZ Discovery User Guide
RoadView Documentation	RoadView Documentation
End User Agreement	Inex Technologies End User Agreement
IZREMRELAY-REV-A-TDSHEET	IZ-REM-RELAY Datasheet
IZ-REM-RELAY Series Supporting Documentation	IZ-REM-RELAY Remote (WEB) Relay Series: Supporting Documentation
IZODPUG-4G-REV-x-TDSHEET	IZODPUG/4G AI Outdoor Data Processing Unit: Technical Data Sheet
IZIDPUG-x-MAN-001	IZIDPUG Indoor AI Data Processing Unit: Installation and User Guide
IZPWRDIN-REV-x-TDSHEET	IZPWR DIN Rail Mount Power Supplies Technical Data Sheet
NDAA-NB-COC-001	NDAA Section 889 Certification of Compliance

2. Applicability

This document was written based on IZ600F firmware version 4.53-301-rp_ZA. Later versions may require changes to this document.

3. Training and Support

3.1. Training

This document does not take the place of training by Inex Technologies' certified specialists. Contact Inex Technologies to schedule training.

3.2. Support

If you have any questions, please contact our support team via our [Inex Technologies Website](#).

4. Checklist

- ✓ Prepare components and tools
- ✓ Plan your site
- ✓ Prepare cables
- ✓ Install camera(s) and other components
- ✓ Connect components (wiring)
- ✓ Power up and set up IP
- ✓ Configure camera settings
- ✓ Aim and calibrate
- ✓ Verify system operation

5. Prepare Components and Tools

5.1. Package Contents

Carefully unpack the contents of the camera package.

The package includes:

- IZ600F, Bullet ALPR Camera with 3-axis bracket
- LAN cable connector (field mountable)
- 3 mm Allen/hex key for pan/tilt/roll adjustment
- Screws and anchors to attach the camera to a wall or surface

i NOTE

If any parts are missing or damaged, please contact Inex Technologies.

For mounting on concrete ceilings, different screws and anchors may be required.

5.2. Required Accessories

! IMPORTANT

Surge protection must be provided on all power, network and data cables

All network cable extensions and repeaters must be shielded.

- Power supply:
 - 12VDC, 1.2 Amp power supply, with male barrel connector (5.5 mm outer diameter, 2.1 mm inner diameter), or
 - PoE+ (IEEE 802.3at) switch capable of providing 12VDC at 1.2 Amp



Figure 1. Male Barrel Connector

- Waterproof junction box for the camera's power and LAN connections
- Network cabling (typically CAT 5e/6 cable) and switch. The total length of the cable from the network switch to the camera should not exceed 328 feet (100 meters).
- A list of accessories that can be supplied by Inex can be found at the end of the specifications table (see your camera's User Guide and Section 7.1).

5.3. Optional Accessories

- Round pole mount adapter (PMA) - see the Mounting Hardware documentation (see Section 1)
- Screws and anchors for mounting on concrete ceilings

5.4. Laptop Computer

- You will need to provide a laptop computer to use for configuration. If you will be using the laptop outdoors, the screen must be able to be seen in strong sunlight. Required software:
 - Windows 10 or above - with .NET 4.5 enabled in "Windows Features"
 - Chrome or Microsoft Edge browser

5.5. Tools

- Network (LAN) cabling (typically CAT 5e/6 cable) with RJ45 connectors. The total length of the cable should not exceed 328 feet (100 meters). **See Section 7 for important LAN cable information.**
- Tools for building LAN cables (wire stripper, crimp tool, etc.) and RJ45 connectors.

! IMPORTANT

For installations that require network cabling: typically use CAT 5e/6 cable. The total length of the cable should not exceed 328 feet (100 meters).

All network cable extensions and repeaters must be shielded.

6. Plan Your Site

6.1. Horizontal Field of View (Capture Line)

Your camera's Field of View (FOV) is the area that the camera can "see". You can think of this area as an imaginary rectangle rising from the lane upwards. The width of this area is called the horizontal FOV or "capture line".

See your camera's User Guide for the horizontal and vertical FOV specifications.

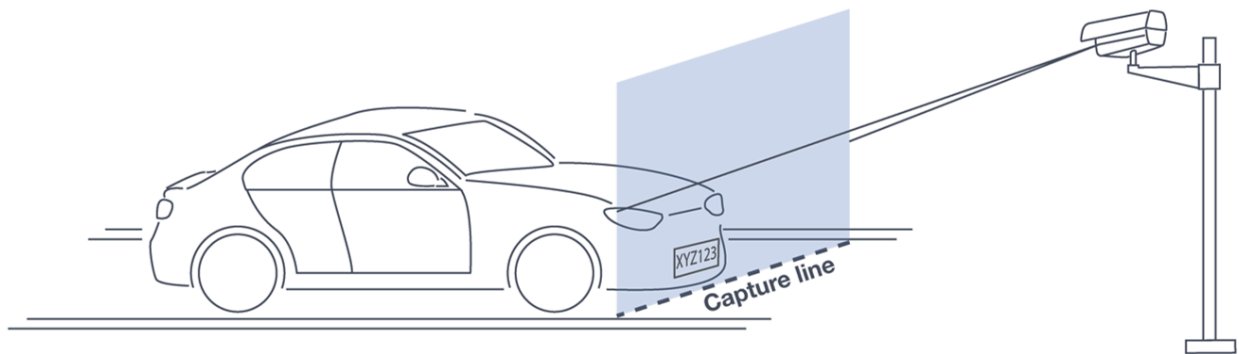


Figure 2. Field of View (Capture Line)

Select your camera's position so that license plates are always within the capture line and parallel to it, with the camera facing as straight at the plates as possible - as shown in the following diagrams:

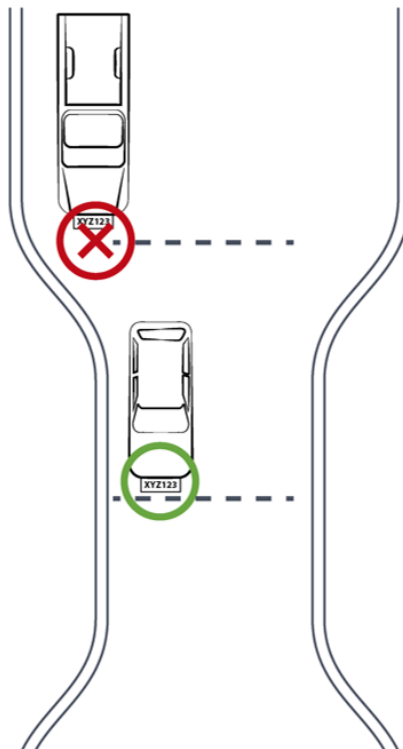


Figure 3. Plates Within Capture Line

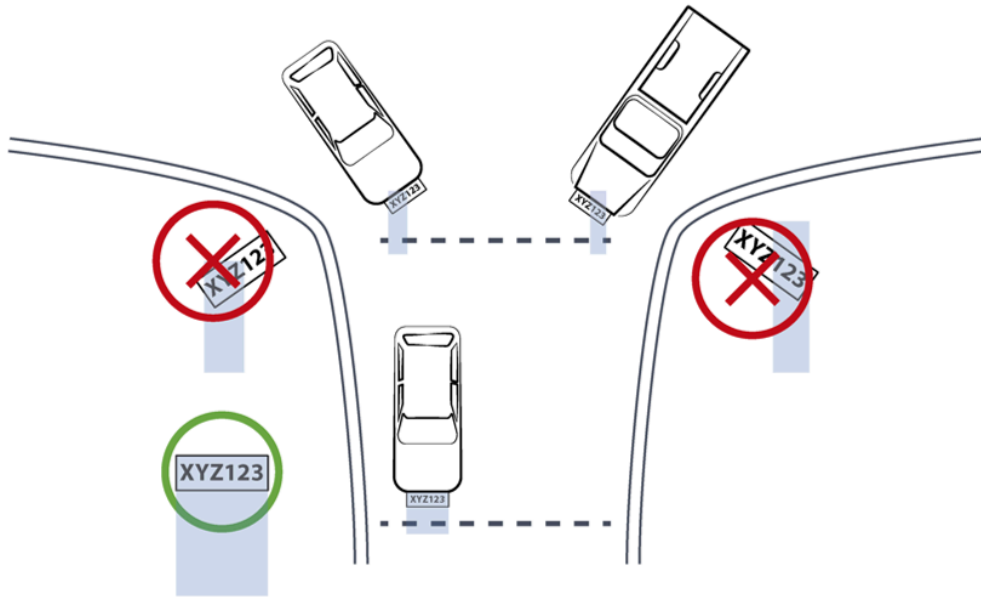


Figure 4. Plates Parallel to Capture Line - Away from Road Curves

6.2. Angles and Distances

! IMPORTANT

See your camera's data sheet for capture distance specifications.

Installations that position the camera at significant angles in relation to the plates will reduce the line-of-sight distances specified.



Figure 5. Horizontal Camera Angle (Pan Angle)

i NOTE

See your camera's data sheet for capture distance specifications.

If you must capture plates on a curve, place the camera on the side of the road that minimizes the horizontal angle.

At larger angles, the reflectivity of the plates is reduced, resulting in images with less contrast.

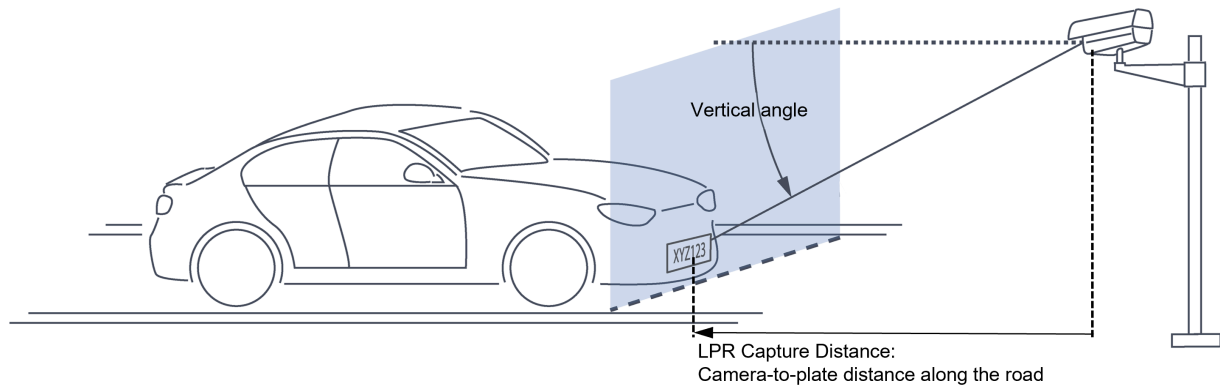


Figure 6. Vertical Camera Angle (Tilt Angle) and LPR Capture Distance

i NOTE

See your camera's data sheet for capture distance specifications.

The distance from the camera to the capture line must be within the viewing range of the LPR camera.

Adjust the vertical angle so that the camera can read plates at all of their expected heights from the road.

Larger angles and/or greater mounting heights may be required in order to recognize plates on vehicles close to each other (such as in slow/congested traffic).

At larger angles, the reflectivity of the plates is reduced, resulting in images with less contrast.

! IMPORTANT

For ceiling installations, the vertical angle (downward tilt) must not exceed 40 degrees.

6.3. Position of the Sun in Relation to the Camera

The camera should not be positioned so that the rays of the sun behind the camera shine along the camera-to-plate axis. Reflective plates will cause severe glare to be reflected back to the camera, obscuring the image of the plate's characters.

Avoid/mitigate by:

- Not installing the camera in an east/west direction
- Installing the camera near a building that shields it from the sun's rays
- Installing the camera on a short pole
- Using a double-camera installation (2 different angles or front/rear)

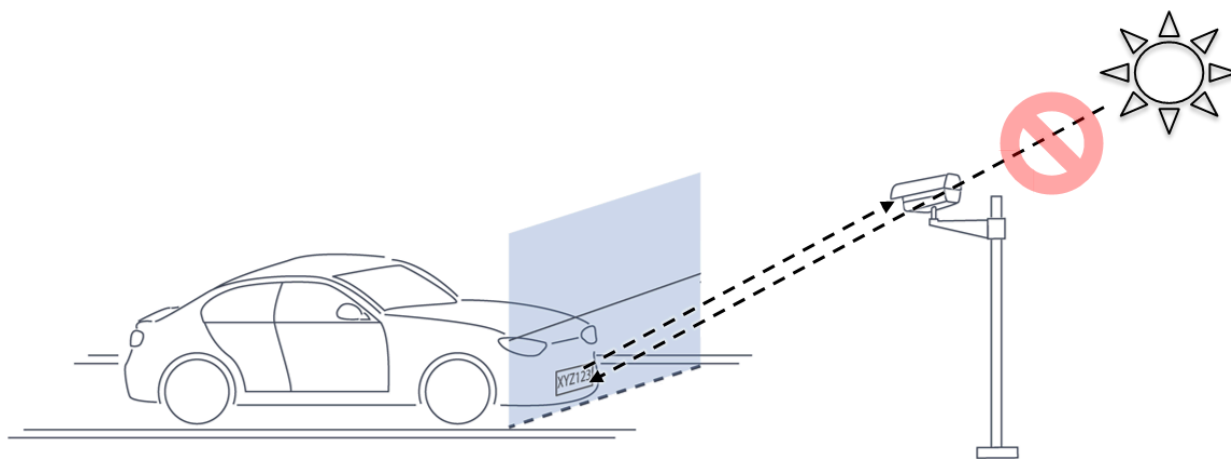


Figure 7. Sun Behind Camera (on Same Axis as Line-of-Sight from Camera to Plate)

6.4. Additional Installation Considerations

Table 2. Additional Installation Considerations

Item	Considerations
Surge Protection	<ul style="list-style-type: none"> On power, network and data cables
Correct, Stable and Sufficient Power	<ul style="list-style-type: none"> Power undervoltage, overvoltage and/or incorrect polarity will damage the unit and will void the warranty. Stable power at the correct level must be supplied to each camera, even under a heavy processing load.
Cable Extensions <u>IMPORTANT</u> <u>All network cable extensions and repeaters must be shielded.</u>	<ul style="list-style-type: none"> Supplied cable lengths are approx. 5.5 in (14 cm) Power - Use a cable gauge sufficient to deliver 12 VDC at the camera LAN - Use only CAT 5e/6 cable for any extensions added to the LAN cable. The total length of the cable (without a switch) should not exceed 328 feet (100 meters).
Cable Connection Waterproofing* <u>CAUTION</u> <u>Inex products must be mounted as described in their Installation Guides. If not, moisture problems may occur - which are not covered by the warranty.</u>	<ul style="list-style-type: none"> All cable connections from the camera to the power supply and LAN, and the power supply, must be enclosed in a waterproof junction box (not provided).
Front/Rear Capture - or Both	<ul style="list-style-type: none"> Country requirements Vehicle types Protruding parts that obscure plates (such as rear hooks) Recessed plates
Trigger Hardware (such as inductive loops)	<ul style="list-style-type: none"> Trigger device position Device is far enough away from other devices to minimize interference Point where vehicle is detected is close to capture line Minimize distance from trigger device to camera (reduces latency)
Objects with character-like appearances (interpreted as characters on a plate, resulting in false reads); avoid having these items in the Field of View	<ul style="list-style-type: none"> Fences with patterns Barriers Signs

Item	Considerations
Obstructions (blocking FOV)	<ul style="list-style-type: none"> • Entry gates • Trees and bushes (even before fully grown) • Bright light (sun/artificial) shining directly into camera's front window • Reflective surfaces too close to camera lens • Weather - snow, heavy rain, dust storms • Dirt on front window (see Section 15.3)
Bottom opening (screw cover) accessible	<ul style="list-style-type: none"> • To be able to perform a hardware (factory default) reset if needed (see Section 12.8)

*Use a drip loop for the cable entering the camera

7. Prepare Cables

All network cable extensions and repeaters must be shielded.

When adding extensions to cables, be sure that there are stable/correct signal and power levels delivered to all components.

7.1. Typical Wiring Diagram

The dotted line box represents a waterproof junction box used to enclose connections from the camera to the LAN (and external power supply, if used). The power supply type and configuration may be different than the one at your site. (See the Quick Start guide for other wiring options.)

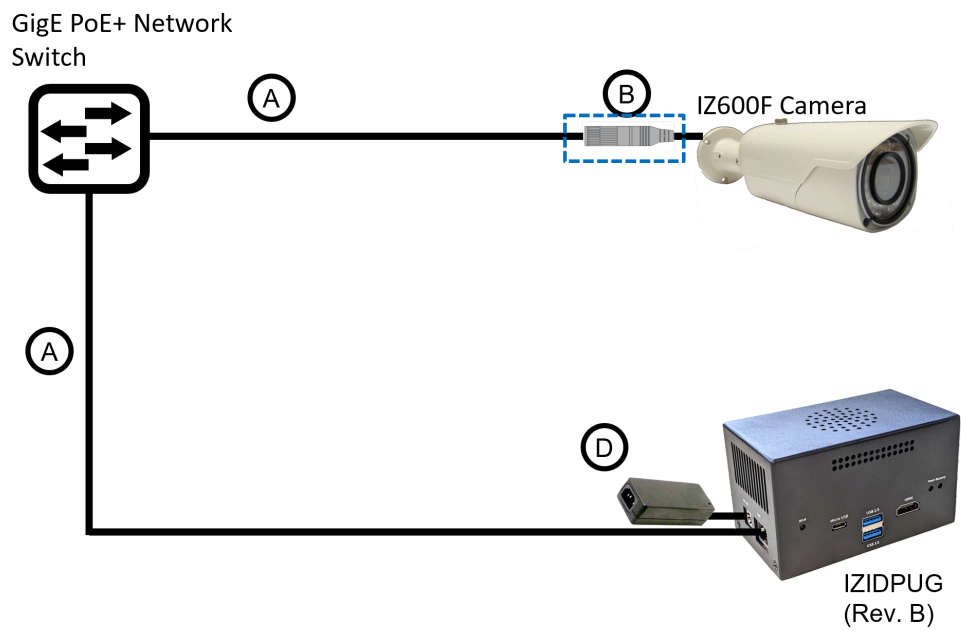


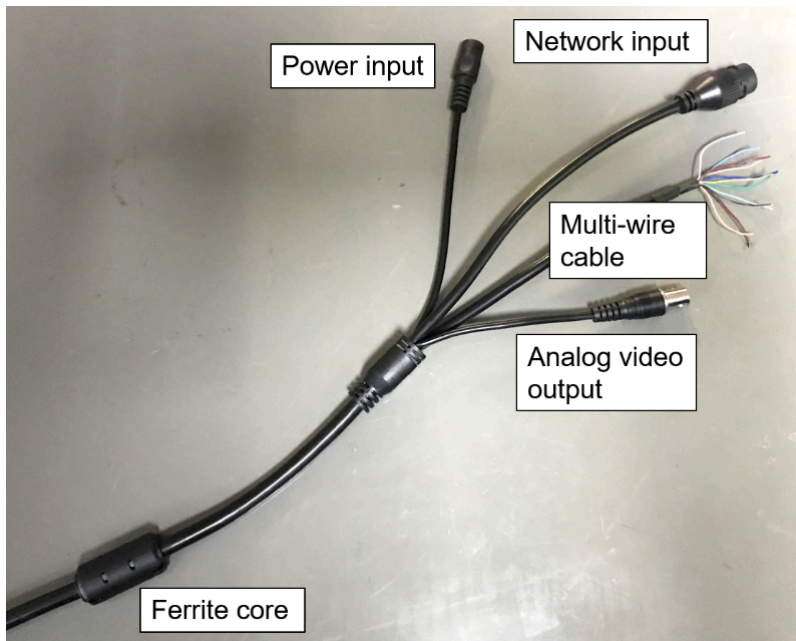
Figure 8. Typical Wiring Diagram

Table 3. Wiring Diagram Legend/Bill of Materials

Item	Description	Ordering Information
A	LAN Cables	Supplied by integrator
B	Waterproof Connection Box (Used to enclose the connection from the camera to the LAN)	Not included
D	Power Supply for IZIDPUG (Rev. B)	Included with IZIDPUG

7.2. Connectors and Wiring Assignments (Pinout)

Table 4. Connectors



Connectors
Power input (for 12 VDC) - female barrel connector 5.5 mm outer diameter, 2.1 mm inner pin diameter
RJ-45 network input connection
Multi-wire cable (not used)
Analog video output (BNC connector)

7.3. Power Connections

- If you are using a 12 VDC power supply, you must provide a male barrel connector (5.5 mm outer diameter, 2.1 mm inner diameter) to connect the (+) and (-) of the power supply to the camera's female power connector.
- If you are using PoE+, be sure that your PoE+ connection is compatible with IEEE 802.3at, and can provide 12 VDC at 1.2 Amp.

7.4. Waterproof Cap for Network

The parts are in a separate plastic bag in the box.

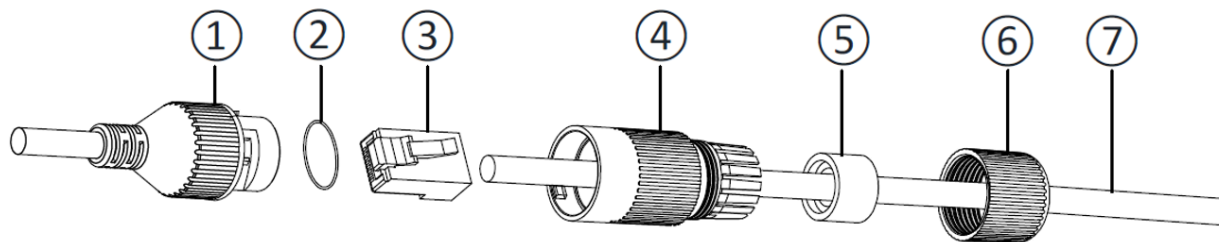


Figure 9. Assembling the Waterproof Cap

Table 5. Waterproof Cap Components

No.	Component
1	Camera's Network Interface Socket
2	O-Type Gasket (separate, in package)
3	Network Plug
4	Waterproof Endcap
5	Waterproof Rubber Gasket
6	Lock Nut
7	Network Cable from Router/Switch

1. Unscrew the lock nut (6) from the waterproof endcap (4).
2. Feed the network cable (without a plug at the end) (7) through the:
 - a. Lock nut (6)
 - b. Waterproof rubber gasket (5). The rubber gasket may already be mounted inside the endcap. If the rubber gasket is not mounted and has an inset ridge, the ridge must face the waterproof endcap (4) so it can fit on the ridge inside the endcap.
 - c. Waterproof endcap (4)
3. Crimp a male RJ-45 network plug (3) onto the end of the cable, taking care to insert the twisted pairs of wires in the correct order.

8. Install Camera(s) and Other Components

! IMPORTANT

Before mounting components, see Section 7 to ensure that your site plan accommodates how the components will be wired together.

1. Prepare all wiring/cables between the system components, and from the system components to the camera's mounting location (see Section 6 and Section 7).
2. If needed, prepare all the conduits that cables will pass through.
3. Mount other wiring-related components (such as junction boxes) in appropriate locations.
4. Secure the camera(s) to the appropriate mounting hardware (see the Mounting Hardware documentation - see Section 1).
 - The IZ600F can be mounted on a wall, ceiling or square pole using its built-in mounting bracket.
 - You can also use an optional pole mount adapter (PMA) for round pole mounting.
 - For concrete ceiling installations:
 - You may need special screws and anchors
 - The vertical angle (downward tilt) of the camera must not exceed 40 degrees
 - If you want to run the camera's cabling through channels along the ceiling, use the notch at the side of the mounting bracket.



Figure 10. Ceiling Mounting

9. Connect Components (Wiring)

⚠ WARNING

Turn off/disconnect the external (AC) power supply before connecting cables. If you are using an Inex power supply, see its User Guide (see Section 1) for important information.

9.1. Waterproofing the Cable Connection Points (Junction Box)

⚠ CAUTION

All connections from the camera to the power supply and LAN, and the power supply, must be enclosed in a waterproof junction box.

9.2. Connecting the Cables

1. Bring the base of the camera near the mounting location.
2. Seat the O-type gasket (2) onto the end of the camera's network interface socket (1) (see Figure 9). Ensure that the gasket lies flat on the socket, without gaps or twists (see Figure 11).

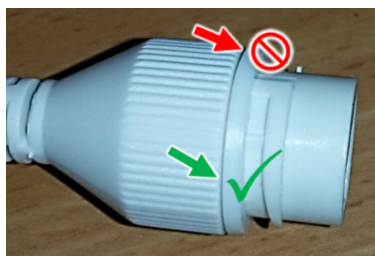


Figure 11. Seating the O-type Gasket

3. Insert the network plug (3) into the camera's network interface socket (1).



Figure 12. Inserting the Network Plug

4. If needed, insert the rubber gasket (5) into the endcap (4). If there is a ridge, fit the rubber gasket in-set ridge on the ridge inside the endcap (see Figure 13).

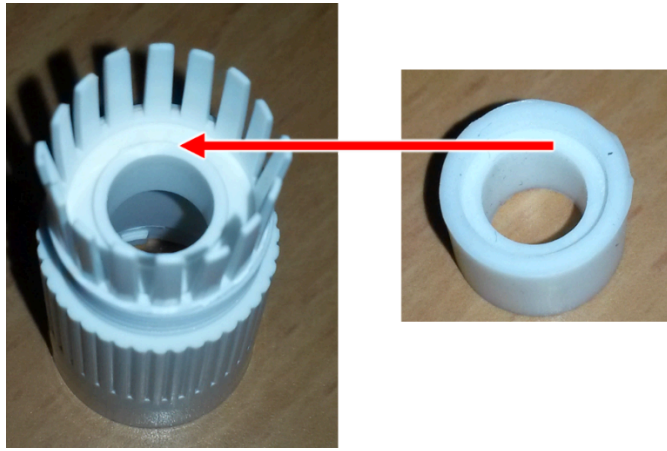


Figure 13. Rubber Gasket Inset Ridge: Fitting on Ridge Inside Endcap

5. Align the tabs in the endcap with the open areas between the threads on the camera's network interface socket (see Figure 14).
6. Turn the endcap clockwise all the way (until the tabs fit into the grooves in the camera's network interface socket). See Figure 14.

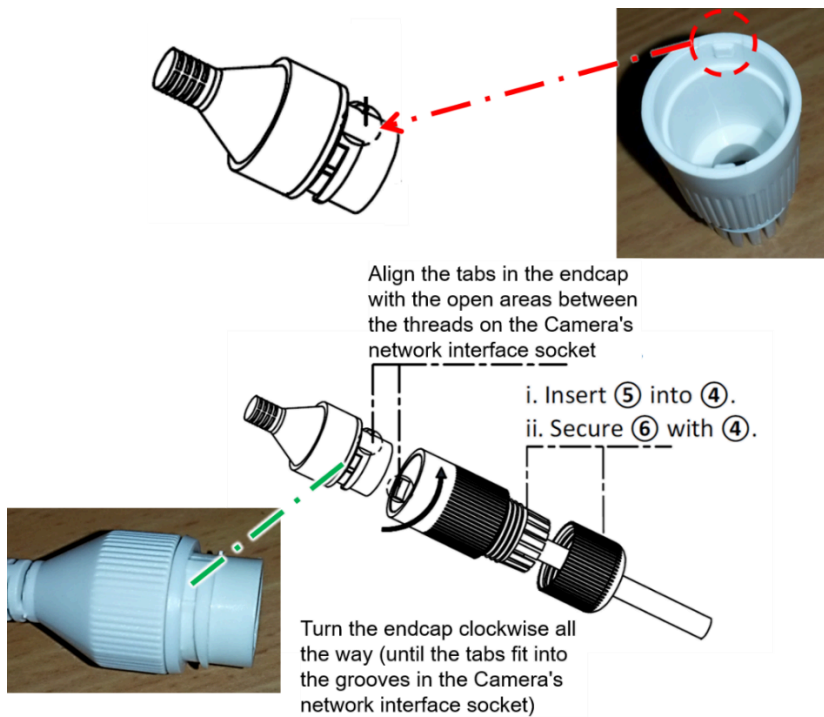


Figure 14. Securing the Waterproof Jacket

7. Connect the power and other wires. For a typical wiring diagram, see Section 7.1.

10. Power Up and Set Up IP

10.1. Connecting the Power

WARNING

If any power cables were lengthened, ensure that all cameras receive exactly their rated voltage (see your camera's User Guide).

Power undervoltage, overvoltage and/or incorrect polarity will damage the unit and will void the warranty.

Stable power at the correct level must be supplied to each camera, even when under a heavy processing load.

Connect a plug to the Live (+V), Neutral (-V) and Ground (Shield) terminals of the power supply (see Section 7.1).

Plug the power supply into the AC electricity. If required, switch the power supply unit ON.

10.2. Reserving IP Addresses in your Network

The Inex cameras have been pre-configured with default IP addresses. You will probably need to change these addresses to conform to the requirements of your network. Be sure that you have IP addresses reserved for all components of your ALPR system (RoadView computer and cameras).

10.3. Set Up IP

The IZ Discovery utility discovers all active devices connected to the network, and displays a list of their network parameters. These devices can include cameras and computers.

See the IZ Discovery User Guide (see Section 1) for instructions on how to change a camera's IP address. You can also use the camera's configuration screens to change the IP address (see Section 12.3).

11. Configure Camera Settings

11.1. Logging In to the Camera

1. To view the camera's home page (see Figure 15):

Open a browser. Enter the IP address of the camera into the address field.

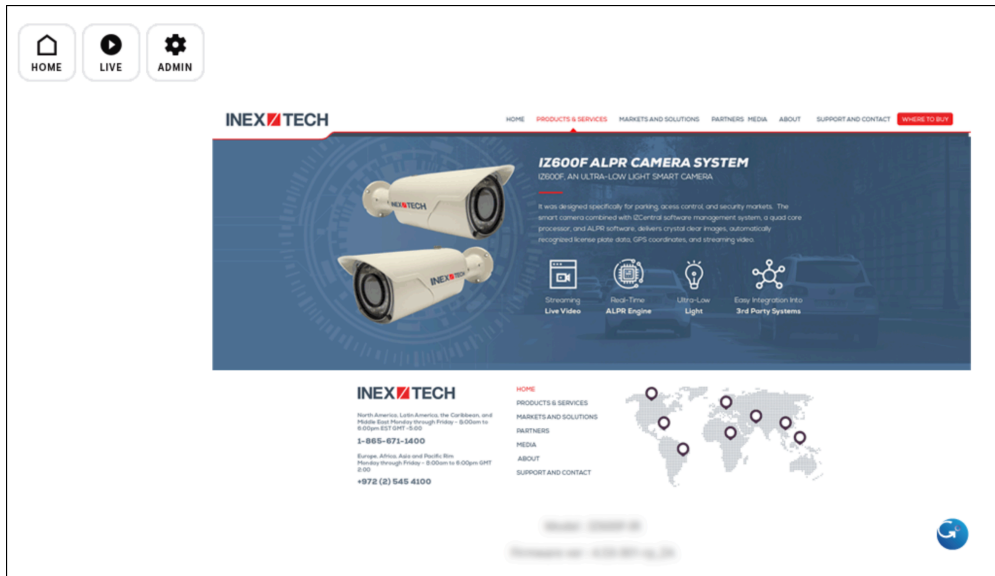


Figure 15. Camera's Home Page

2. Select the function you need from the links/buttons at the upper part of the screen:

- Click the Live link/button to see what the camera is currently viewing. Use the default user/password: root/IZpass12.

i NOTE

When using Live View for the first time, you may be prompted to download and install an ActiveX control (Smart Viewer).

If you do not have an internet connection to the network on which the camera is installed, wait 30 seconds, and you will be instructed on how to install the ActiveX control locally via the camera's firmware.

The stream of the Live View can also be accessed using an RTSP URL with this format :

```
rtsp://[username:password]@[<Camera IP address>]/cam0_0
```

where cam0_0 is a camera-specific parameter (which in this case enables you to access the primary stream)

To see the stream, use a video player such as the VLC player, located at:

[VLC](#)

- If you need to change the camera's IP address or other configuration parameters, click the Admin link/button. When prompted for a login, use the Administrator username/password credentials of root, IZpass12.

! IMPORTANT

The Administrator user name (root) cannot be changed, and the Administrator password is encrypted. Therefore, if someone changes the Administrator password, there is no way to find out the password if it gets lost.

If the password gets lost, you will have to reset the device with the FD (Factory Default) button (see Section 12.8). All setting values will be reverted to their factory defaults.

11.2. Live View (link at upper left)

- The focus will typically be set automatically; in some cameras, it can be fine-adjusted manually with buttons
- Some cameras can use the Zoom in/out buttons

11.3. Admin (link at upper left)

- Enter username and password (root/IZpass12)
- Use the menu at the left to select the parameter category/sub-category/group.

! IMPORTANT

After changing settings, remember to click the Apply button at the bottom of each parameter section.

11.4. Logging Out of the Camera

Close all windows, and the browser window.

12. LPR Camera (Sensor) Configuration

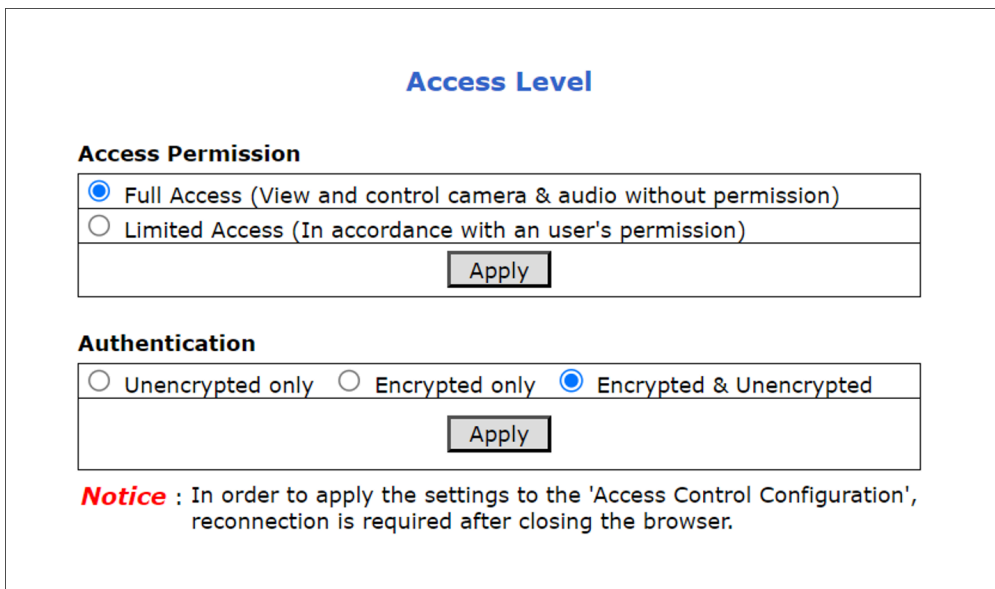
The camera(s) are pre-configured; this section displays typical settings for reference.

! IMPORTANT

Settings shown may be different for different camera firmware versions.

After changing parameters, remember to click the "Apply" button at the end of each set of parameters (some parameter groups have more than one set).

12.1. Setting the Access Level (System > Access Level)



Access Level

Access Permission

Full Access (View and control camera & audio without permission)

Limited Access (In accordance with an user's permission)

Apply

Authentication

Unencrypted only Encrypted only Encrypted & Unencrypted

Apply

Notice : In order to apply the settings to the 'Access Control Configuration', reconnection is required after closing the browser.

Figure 16. Access Level Parameters

Your first action should be to set the Access Level to Full, with "Encrypted & Unencrypted" Authentication

An Access Level of "Full" will enable you to receive the video stream without any special user identification, so that:

- Anyone can use the Live View
- The RTSP URL can be used without a username and password to see the Live View

! IMPORTANT

If you change the Access Permission, click the Apply button under the Access Permission section.

If you change the Authentication, click the Apply button in that section (you will be prompted to close the browser, and you will have to log in again).

12.2. Enabling the RTSP Service and Port (Network > RTP/RTSP)

RTP/RTSP

Service		<input checked="" type="radio"/> Enable <input type="radio"/> Disable	
RTSP Port		<input type="text" value="554"/>	(Default:554, 554 ~ 65534)
Packet Size		<input type="text" value="1"/>	(Default:1, 1 ~ 12)
Keep-Alive		<input checked="" type="radio"/> On <input type="radio"/> Off	
RTP Auth Algorithm		<input checked="" type="radio"/> MD5 <input type="radio"/> SHA256	
Multicast Service		<input type="radio"/> Enable <input checked="" type="radio"/> Disable <input type="radio"/> Always	
Camera 1	Multicast Address	<input type="text" value="0.0.0.0"/>	Disable:0.0.0.0 (225.0.0.0 ~ 239.255.255.255)
	Multicast Port	<input type="text" value="0"/>	(Disable:0, 2048 ~ 65534)
Camera 2	Multicast Address	<input type="text" value="0.0.0.0"/>	Disable:0.0.0.0 (225.0.0.0 ~ 239.255.255.255)
	Multicast Port	<input type="text" value="0"/>	(Disable:0, 2048 ~ 65534)
Camera 3	Multicast Address	<input type="text" value="0.0.0.0"/>	Disable:0.0.0.0 (225.0.0.0 ~ 239.255.255.255)
	Multicast Port	<input type="text" value="0"/>	(Disable:0, 2048 ~ 65534)

Apply

Notice : This function is only for models with the built-in module.
IP devices (added VS module) do not support this function.

RTSP URL for Camera 1:

rtsp://(Network Video Server IP Address)/cam0_0
-> cam(0 : VS Module number)_(0:Port number)

RTSP URL for Camera 1 'Multicast Address':

(Multicast address and Port should be configured.)
rtsp://(Network Video Server IP Address) : (RTSP port + 1)/mcam0_0
-> mcam(0 : VS Module number)_(0:Port number)

RTP 'Packet Size' value can be adjusted when using another vendor's CMS/VMR/NVR for best performance.

Adjusting to a wrong value can cause delay or no video.
Contact the CMS/VMS/NVR vendor for the best performing 'RTP Packet Size' value.

Figure 17. RTP/RTSP Parameters

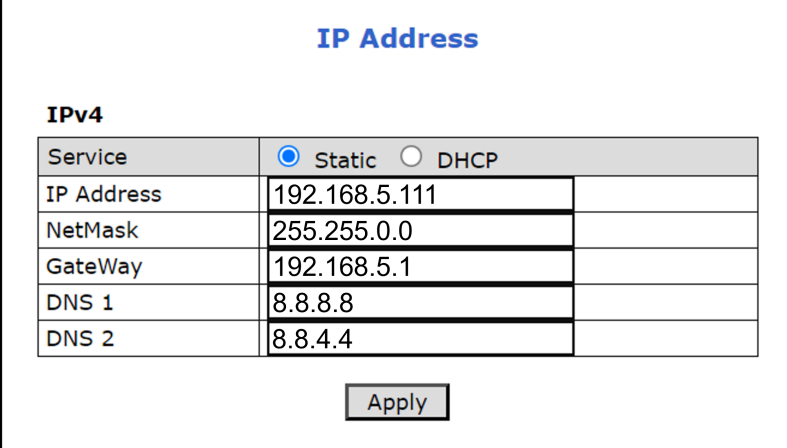
12.3. Changing the Camera's IP Address (Network > IP Address)

i NOTE

It is **highly recommended to use a fixed IP address (not DHCP)**. A fixed IP address enables you to access the camera using the same URL every time, even after unexpected power outages.

You can also use IZ Discovery to change the camera's IP address.

1. In the Network group, click on IP Address:



Service	<input checked="" type="radio"/> Static <input type="radio"/> DHCP
IP Address	192.168.5.111
NetMask	255.255.0.0
GateWay	192.168.5.1
DNS 1	8.8.8.8
DNS 2	8.8.4.4

Apply

Figure 18. Changing the Camera's IP Address

2. To change the IP address to a fixed one:

i NOTE

The IP address must be unique within the entire ALPR system, and must be within the limits of standard IPv4 address numbering.

- a. Click the Static radio button.
- b. Enter the network address parameters. **All cameras must be on the same subnet as both the computer you will use to communicate with and configure the camera, and the Inex RoadView computer.**

! IMPORTANT

It is highly recommended to record the camera's IP address and port number in a safe place. You will need them if the camera's parameters are reset back to their defaults, and for configuring Inex recognition software.

3. Click Apply.

! IMPORTANT

After selecting Apply, you will be requested to close your web browser so the updates can take effect. This will take 20 seconds or more, to allow the camera time to reboot.

- If you click the browser's Back button, all values will be discarded.
- If you click the browser's Refresh button, the application will load the previous values.

4. In the IZ Discovery utility, click the "Clear List" button, and verify that the camera can be recognized with the new IP address.

12.4. Setting the Date & Time (System > Date & Time)

Date & Time

Date (yyyy/mm/dd)	<input type="text" value="2023"/> / <input type="text" value="11"/> / <input type="text" value="25"/>
Time (hh:mm:ss)	<input type="text" value="14"/> : <input type="text" value="38"/> : <input type="text" value="59"/>
Time Zone	<input type="checkbox"/> Change Time Zone <input type="text" value="America/New_York"/>
Service	<input checked="" type="radio"/> Enable <input type="radio"/> Disable
NTP server address	<input type="text" value="ntp.ubuntu.com"/>
Period	<input type="text" value="60"/> Sec (Default:86400, 60~86400)
NTP sever time	<input type="button" value="Get NTP server time"/>

Notice When changing the 'Time Zone', it is strongly recommended to reboot the camera after clicking the "Apply" button. After the reboot, the user ID and password are required.

Figure 19. Date & Time

i NOTE

The Time Zone selections are organized by continent. For example, the "America/" prefix covers various cities and countries in North America (U.S. and Canada) and South America.

The "Period" is the interval (in seconds) at which the time server will be polled for updates.

12.5. IZ600F LPR Camera - Video & Audio > Stream Setup

Stream Setup

Max Frame Rate	<input checked="" type="radio"/> 30 fps <input type="radio"/> 25 fps
Video with Flexible Extra System data	<input checked="" type="checkbox"/> Enable
Video with user defined message	<input type="checkbox"/> Enable
Video with PPP status	<input type="checkbox"/> Enable
Video with camera name	<input type="checkbox"/> Enable
Video with server name	<input type="checkbox"/> Enable
Video with IP address	<input type="checkbox"/> Enable
Time Stamp	Off <input type="button" value="v"/>
TV Out	<input checked="" type="radio"/> Enable <input type="radio"/> Disable
Audio Codec	G.711 μ -LAW <input type="button" value="v"/>
<input type="button" value="Apply"/>	

Primary Secondary Tertiary	
Camera Name	Primary Stream <input type="button" value="v"/>
Frame Rate	5 fps <input type="button" value="v"/>
Image Size	2048 x 1536 <input type="button" value="v"/>
Encoding Standard	M-JPEG <input type="button" value="v"/>
Image Quality	Normal <input type="button" value="v"/>
Audio	<input type="radio"/> Enable <input checked="" type="radio"/> Disable
<input type="button" value="Apply"/>	

Max. Video Encoding	3M x 30 fps <input type="button" value="v"/>
<input type="button" value="Apply"/>	

Figure 20. IZ600F LPR Camera - Video & Audio > Stream Setup

Three video streams are available for use, each with its own RTSP URL. The URLs are: rtsp://<Camera IP address>/cam0_n, where n is 0,1 or 2 for the primary, secondary or tertiary streams, respectively. Inex uses the "primary" stream, which can supply video for up to 3 clients.

Note the following details about some of the parameters:

- Max Frame Rate
 - For U.S. (60 Hz electricity) - 30 fps
 - For Europe (50 Hz electricity) - 25 fps
- Primary/Secondary/Tertiary - be sure to click "Primary" (turns red)
- If any additional parameters appear below the main two sets of parameters, leave them at their defaults (depends on camera model)

12.6. IZ600F LPR Camera - Video & Audio > Camera Setup

i NOTE

The recommended settings for an IZ600F are:

- Shutter Time Max - 1/3000 to 1/32000
- Shutter Control - Manual
- Max AGC Gain - 36
- Day & Night Control: indoor parking - "Black and White"; outdoor parking - "Auto(Night B/W)"

Default(Day) Night Mode DI Mode Motion Mode									
Event Control Mode									
Change Mode to	<table border="1"> <tr> <th>Day</th> <th>Night</th> <th>DI</th> <th>Motion</th> </tr> <tr> <td><input type="checkbox"/></td> <td><input type="checkbox"/></td> <td><input type="checkbox"/></td> <td><input type="checkbox"/></td> </tr> </table>	Day	Night	DI	Motion	<input type="checkbox"/>	<input type="checkbox"/>	<input type="checkbox"/>	<input type="checkbox"/>
Day	Night	DI	Motion						
<input type="checkbox"/>	<input type="checkbox"/>	<input type="checkbox"/>	<input type="checkbox"/>						
Exposure									
DC IRIS Enable	<input checked="" type="radio"/> Enable <input type="radio"/> Disable								
AE Metering Mode	Center ▾								
Shutter Control	<input checked="" type="radio"/> Manual <input type="radio"/> Auto								
Shutter Time Min	1 / 32000 (30 ~ 32000)								
Shutter Time Max	1 / 3000 (30 ~ 32000)								
Max AGC gain	36 (Default:36, 0 ~ 72)								
Sense Up Level	Off ▾								
Back Light Compensation	<input type="radio"/> Enable <input checked="" type="radio"/> Disable								
Auto Exposure Weight	100 % (Default:100, 25 ~ 400)								
D-WDR Enable	<input type="radio"/> Enable <input checked="" type="radio"/> Disable								
D-WDR	3 (Default:0, 0 ~ 128)								
Image Filter									
Brightness	0 (Default:0, -255 ~ 255)								
Contrast	64 (Default:64, 0 ~ 128)								
Hue	0 (Default:2, -15 ~ 15)								
Saturation	64 (Default:80, 0 ~ 255)								
Sharpness	6 (Default:6, 0 ~ 11)								
White Balance & Noise Filter									
White Balance	Auto ▾								
3DNR	3 (0 ~ 11)								
Day/Night & IR-LED Illumination									
Day & Night Control	Black & White ▾								
Day to Night Dwelling Time	3 (0 ~ 6)								
Night to Day Dwelling Time	3 (0 ~ 6)								
Day to night threshold	3000 (1 ~ 4096)								
Night to day threshold	3900 (1 ~ 4096)								
Image Direction									
Vertical Flip	<input type="radio"/> Enable <input checked="" type="radio"/> Disable								
Horizontal Flip	<input type="radio"/> Enable <input checked="" type="radio"/> Disable								
Corridor Mode	<input type="radio"/> Enable <input checked="" type="radio"/> Disable								

Color Mode : Default	Color Mode : Standard
Color Mode : Vivid	Copy Default to All

Apply

Figure 21. IZ600F LPR Camera - Video & Audio > Camera Setup

Note the following details about some of the parameters:

- Mode - click on "Default(Day)"; turns red
- Shutter Control is set to Manual - means that the shutter speed will be chosen automatically between the Shutter Time Min and Max

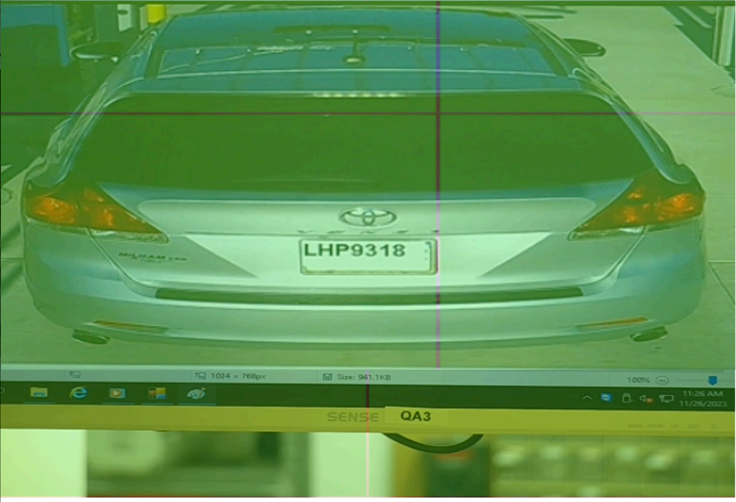
12.7. Configuring Motion Detection (Video & Audio > Motion Detection)

Disable motion detection:

Motion Detection

Motion Detection Enable Disable

Camera &
Motion Detection Area



Motion Sensitivity (50)

Notice : To turn on 'Motion Detection', select "Enable".
To turn off 'Motion Detection', select "Disable".
Select blocks on the grid to mark the area for motion detection.
Click the "Apply" button to save changes.
Click the "Default" button to revert to default settings.

Figure 22. Motion Detection

12.8. Hardware Reset (Resets Parameters and Administrator Password)

In some cases (such as if the Administrator password is lost), you will need to perform a hardware reset using the FD (Factory Default) button. All setting values will be reverted to their factory defaults. The IP address will be reset to 10.20.30.40.

To perform a hardware reset:

1. Unscrew the round cover on the bottom of the camera:



Figure 23. Unscrewing the Round Cover

2. Locate the Factory Default (reset) button (see Figure 24).
3. Using a thin item such as a small screwdriver, hold the button down for several seconds until the communication LEDs shut off. The 2 communication LEDs (red/flashing and green/static) are mounted next to each other on the same side of the circuit board you see.
4. After the communication LEDs shut off, wait until they light up again. You can then use the camera and configure its parameters.

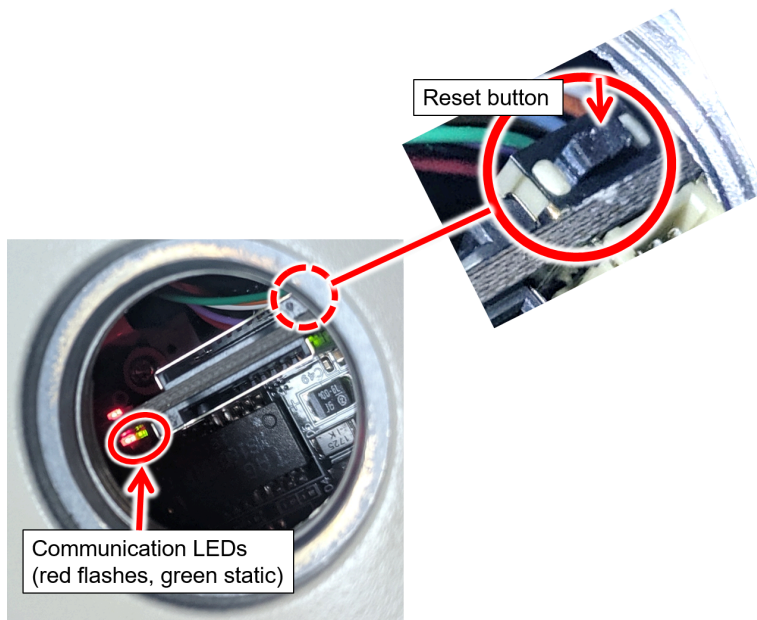


Figure 24. Factory Default (Reset) Button and LEDs

13. Aim and Calibrate

13.1. Preparing a Vehicle/License Plate

Move a vehicle next to, and at the middle of the capture line. (This is the position at which the vehicle sensor signals that the vehicle is present.) Ensure that the Camera System is aimed at the middle of the lane, and is at the required capture distance (see Section 6 and the IZ600F User Guide - see Section 1).

Alternatively, in a lab, position a license plate at the expected distance and height.

13.2. Determining the IP Address of the RoadView Computer with IZ Discovery

See the IZ Discovery User Guide (see Section 1).

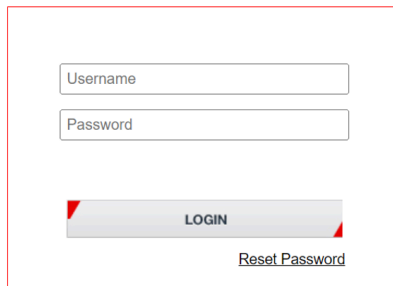
13.3. Using RoadView

13.3.1. Logging In

1. Open a browser (Chrome or Microsoft Edge). Type in the IP address of the RoadView computer. For example:

192.168.5.110

2. You will see the login screen. Enter the default username and password (root, root):



The image shows a login interface with two text input fields labeled 'Username' and 'Password'. Below these fields is a grey button with the text 'LOGIN' and a red triangle on its left side. Underneath the button is a link labeled 'Reset Password'.

Figure 25. Logging In to RoadView

3. You should see the RoadView Live (Journal) tab. See the RoadView ALPR User Guide for instructions for configuring and using RoadView (see Section 1).

13.3.2. Logging Out

See the RoadView ALPR User Guide (see Section 1) for logout instructions, using the multi-line drop-down menu icon in the upper right corner of the screen.

13.4. Calibrating the Camera Using RoadView

! IMPORTANT

See Section 13.2 and Section 13.3 for instructions on how to log in to the computer running RoadView in your system.

See the RoadView ALPR User Guide (see Section 1) for calibration instructions.

Read the following instructions before adjusting the camera's position as part of the calibration procedure; they are specifically for the IZ600F camera.

DO NOT OVERTIGHTEN the two Roll screws (3). Excess force can cause the screws to break! There are two Roll screws - one on each side.

To aim the camera, adjust the Pan (screw 2), Tilt (screw 1) and Roll (screw 3) as described in these instructions, and in the RoadView ALPR User Guide (see Section 1). Use the 3 mm Allen/hex key provided to loosen and tighten the adjustment screws.

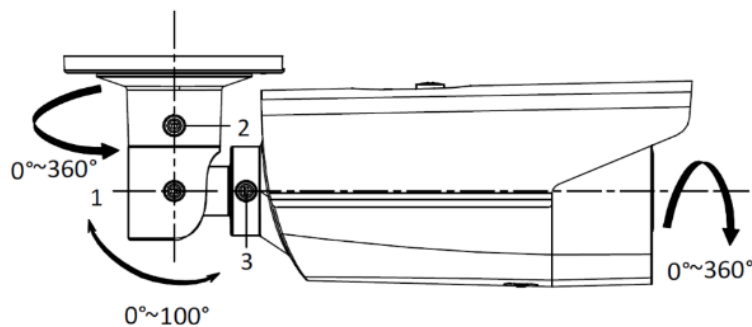


Figure 26. Pan/Tilt/Roll (Angle) Adjustments

i NOTE

The inner mechanisms of adjustments 2 (pan) and 1 (tilt) (see Figure 26) have small teeth. When the teeth mesh with protrusions in the housing, the adjustment position becomes fixed in place. Each tooth corresponds to a certain number of degrees of angle (6° per tooth). However, the distance between each tooth is not always small enough for finer adjustments (that are often required to aim the camera). If the camera is used with a pole mount adapter, you can achieve these finer adjustments by moving the adapter slightly - around the pole.

14. Verify System Operation

- Using a license plate mounted in a lab, or by driving a vehicle through the lane, verify that an Event is generated with the correct plate read (recorded in the RoadView Live (Journal) tab). See the RoadView ALPR User Guide (see Section 1).
- Once the lane is active, verify that Events are being generated for each vehicle passing each camera, and that the recognition has sufficient accuracy and confidence.

15. Troubleshooting and Maintenance

15.1. Troubleshooting

See the RoadView ALPR User Guide (see Section 1).

15.2. Checking Mounting Screws

It is recommended to check all mounting screws for proper tightness once every two years.

15.3. Cleaning the Camera

Do not use solvents or strong abrasive detergent when cleaning the camera. Use a soft dry cloth to clean the ALPR camera's front glass when it is dirty. If the dirt has hardened, remove it using mild soap and water, and then wipe the front window gently.

16. Notices

16.1. Inex Technologies End User Agreement

Be sure to read the following document that explains important information about your agreement with Inex. [Inex Technologies End User Agreement](#)

16.2. Safety Precautions

CAUTION

WHEN INSTALLING THE UNIT IN YOUR SYSTEM, BEWARE OF RISK OF ELECTRICAL SHOCK.
REFER SERVICING TO QUALIFIED SERVICE PERSONNEL

IMPORTANT

This product must be used in compliance with local laws and regulations.
All network cable extensions and repeaters must be shielded.
Power undervoltage, overvoltage and/or incorrect polarity will damage the unit and will void the warranty.

- Read this guide carefully before installation, and keep it for future reference.
- Do not disassemble the camera or external illuminator units. Repair or replacement of parts for this camera and its external illuminator units should be supplied by Inex Technologies, and installed by qualified service personnel.
- Handle and store the camera and external illuminator units with care. Do not drop the camera or subject it to physical shock.
- The sensor can be burned out by a laser beam. When any laser equipment is in use, you must ensure that the surface of the sensor will not be exposed to a laser beam.
- You must provide adequate protection to prevent water (e.g. rain) from entering the camera.
- Do not touch the sensor or lens with your fingers.
- Do not use the camera or external illuminator units outside of their temperature, humidity and power source ratings as noted in their respective technical specifications.
- To avoid heat accumulation/overheating, use sufficient ventilation in the unit's operating environment.
- It is your responsibility to ensure that all wires connected to Inex Technologies' products have appropriate surge protection. Any damage due to electrical spikes (for example, lightning) is not covered by the warranty.
- Do not connect several devices to one power adapter since adapter overload may cause overheating or a fire hazard.

- Stop using the unit immediately if it emits smoke, or if you notice an abnormal smell or sound. In such cases, please contact us. Do not attempt to repair the unit by yourself!

16.3. Regulatory Notices

-  **FCC Conformance:**

This device complies with Part 15 of the FCC Rules. Operation is subject to the following two conditions: (1) This device may not cause harmful interference, and (2) this device must accept any interference received, including interference that may cause undesired operation.

-  **EU Conformity Statement:**

This product and - if applicable, the supplied accessories - are marked with "CE" and comply therefore with the applicable harmonized European standards listed under the EMC Directive 2014/30/EU, and the RoHS Directive 2002/95/EC.

-  **IP67 Ingress Protection:**

This product conforms to the IP67 standard.

-  **IK10:**

This device's casting/housing conforms to the IK10 impact standard (Vandal-proof).

-  **ONVIF:**

This device is ONVIF compliant (Profile S).

16.4. Documentation Notices

Inex Technologies reserves the right to improve and enhance its product offerings. Thus, the illustrations and descriptions presented in this manual may differ in some respect from the products you receive.

Technical specifications are subject to change without notice.

In addition, please note that some figures are not drawn to scale, in order to illustrate the addressed issue more effectively.

All third-party trademarks are the property of their respective owners.

Inex Technologies cannot be held liable for technical and editorial omissions or errors made in this document; nor for incidental or consequential damages resulting from the furnishing, performance or use of this document.

No part of this document may be reproduced in any form without permission from Inex Technologies.

17. Document Change History

Date	Change
2023-03-23	<ul style="list-style-type: none">• FOV now appears in specification table• Added Note in IZ Discovery section to remind user that a camera's IP address can also be changed via the camera's configuration application.• Added basic instructions for using RoadView
2024-12-01	<ul style="list-style-type: none">• Updated sensor parameter screens to match actual site installation
2025-09-25	<ul style="list-style-type: none">• Removed IZL from Accessories in specification table, from Related Documents and from Optional Accessories in text• Removed illuminator mounting references from Related Documents• Removed several mentions of illuminators in the text• Removed "Optimizing Nighttime Vehicle Overview Images (using External Illuminators)" section• Removed IZL from wiring diagrams and wiring table
2025-11-13	<ul style="list-style-type: none">• Added ceiling mounting option to the list of Install Camera(s) and Other Components• Added text and notes explaining that for mounting on concrete ceilings, different screws and anchors may be required.• Added special instructions and a diagram for ceiling mounting.• Added note that vertical angle for ceiling mounting must not exceed 40 degrees.
2026-03-17	<ul style="list-style-type: none">• Corrected LPR Capture Distance description in a Figure to clarify that this distance is measured from camera-to-plate "along the road"

© Inex Technologies, LLC - All rights reserved.

Doc. No. IZ600F-MAN-002b Ver. 2026-05-04

This page was built using the Antora default UI.

The source code for this UI is licensed under the terms of the MPL-2.0 license.