

# IZA500G Technical Datasheet

## ALPR All-in-one AI Camera System

Rev. F3



### Key Features and Benefits

- ✓ Designed for Parking, Car Wash, Access Control and Security
- ✓ NVIDIA® Artificial Intelligence (AI) GPU processor for lightning fast processing at the edge
- ✓ RoadView video analytics on edge for in-depth vehicle analysis
- ✓ Integrated with IZCloud
- ✓ Dual sensor provides multiple paths to perfect ALPR reads
- ✓ Multi-flash technology for greater read accuracy and capture under all conditions
- ✓ Motorized zoom and auto-focus - the key to optimized remote tuning
- ✓ Anti-glare technology for all lighting environments
- ✓ Wide temperature range - operating from -22°F to 140°F (-30°C to 60°C)
- ✓ IP67 ingress protection against extreme moisture
- ✓ IK10 vandal-proof casting for efficient, worry-free operation
- ✓ NDAA Section 889 compliant



# Specifications

Item		Specification
Supported Analytics	LPR Analytics	Plate Recognition, State of Issue, Type
	Vehicle Analytics	Vehicle Detection, Classification, Color, Make; Vehicle Without Plate
Field of View (FOV)		12 ft (H) x 8 ft (V) (3.7 x 2.4 m)
Max Vehicle Speed		Up to 80 mph (129 km/h)
LPR Capture Distance* (for U.S.A. plates)		<ul style="list-style-type: none"> <li>S - Short distance, 5-35 ft (1.5-11 m)</li> <li>L - Long distance, 30-70 ft (9-21 m)</li> </ul>
LPR Illumination	Number of LEDs	<ul style="list-style-type: none"> <li>DR, IR - 15 high power LEDs</li> <li>DRW, IRW - 10 high power LEDs</li> </ul>
	Wavelength	<ul style="list-style-type: none"> <li>DR - Deep Red</li> <li>IR - Infrared</li> </ul>
	Beam Angle	<ul style="list-style-type: none"> <li>S - 40°x16°</li> <li>L - 15°x15°</li> </ul>
LPR Camera	Shutter Type	Global
	Sensor	Sony IMX265
	Resolution	2 MP - 1920 (H) x 1080 (V)
	Lens	<ul style="list-style-type: none"> <li>S - 6-22 mm; Motorized Zoom and Auto-focus</li> <li>L - 12-40 mm; Motorized Zoom and Auto-focus</li> </ul>
	Video Compression	MJPEG, H.264, H.265
	Video Streaming	RTSP Protocol
OV Illumination	Number of LEDs	<ul style="list-style-type: none"> <li>DR, IR - No visible light LEDs</li> <li>DRW, IRW - 5 high power LEDs</li> </ul>
	Wavelength	<ul style="list-style-type: none"> <li>DR, IR - N/A</li> <li>DRW, IRW - Visible, Warm White</li> </ul>
	Beam Angle	<ul style="list-style-type: none"> <li>S - 40°x16°</li> <li>L - 15°x15°</li> </ul>

Item		Specification
OV Camera	Shutter Type	Rolling
	Sensor	Sony IMX290
	Resolution	2 MP - 1920 (H) x 1080 (V)
	Lens	<ul style="list-style-type: none"> <li>S - 5-50 mm; Motorized Zoom and Auto-focus</li> <li>L - 5-50 mm; Motorized Zoom and Auto-focus</li> </ul>
	Video Compression	MJPEG, H.264, H.265
	Video Streaming	RTSP Protocol
Supported Protocols (for additional protocols, see the <a href="#">RoadView documentation</a> )	Inex HTTP API	LPR Events are reported via protocols such as the Inex HTTP API protocol. Each LPR Event includes metadata and associated images.
	Inex Discovery	The Inex Discovery Protocol is used by the IZ Discovery utility to find all devices connected to the LAN. IZ Discovery also enables display and editing of each device's network settings.
AI Processor	GPU	NVIDIA Maxwell architecture with 128 CUDA® cores
	CPU	Quad-core ARM Cortex-A57 MPCore processor
	RAM	4 GB 64-bit LPDDR4, 1600MHz 25.6 GB/s
	System Storage	MicroSD, 64 GB
	Data Storage	eMMC, 12 GB
	RTC Battery	Maintains real-time clock date and time for 4-6 hours
Rechargeable; Full charge-up time: 12 hours		
Environmental	Ingress Protection	IP67
	Operating Temperature	-22°F to 140°F (-30°C to 60°C)
	Storage Temperature	-22°F to 158°F (-30°C to 70°C)
	Humidity	0% - 90% RH, non-condensing

Item		Specification
Certifications	EMC	FCC Part 15, subpart B; CE
	Interoperability	ONVIF compliant, Profile S
	RoHS	RoHS
	Impact Protection	IK10-rated casting (Vandal-proof)
	Eye Safety	IEC62471 Group 1
	NDA	NDA Section 889 compliant
Physical	Dimensions	(W x H x D) 6.7" x 4.7" x 17.7" (171 x 119 x 451 mm)
	Weight	9.0 lbs (4.1 kg)
	Color	White
Interface	Ethernet	GigE Ethernet (10/100/1000M)
	Cables	LAN - 6.6 (2 m) cable included with camera, terminated with a male RJ-45 connector; can be extended with: CAT 6, shielded Ethernet cable, 4 pairs, 22 AWG, max. length 328 ft (100 m), OD 5.5-7.9 mm
		Power/Signals (PAS) - 6.6 (2 m) cable included with camera; can be extended with: 22 AWG, OD 3.0-7.3 mm <ul style="list-style-type: none"> <li>3-wire power cable, shielded with a polyethylene jacket; ends terminated with metal rings</li> <li>Digital input (trigger) signal wires and relay output connections (see next items)</li> </ul>
	Digital Inputs (Trigger)	<ul style="list-style-type: none"> <li>Trigger Dry: White (+), Green (-)</li> <li>Trigger Wet: Green (+5-12 V), Blue (GND)</li> </ul>
	Relay Output	<ul style="list-style-type: none"> <li>Dry Contact Relay: Brown (NO), Orange (C)</li> </ul>
Power	Input Voltage	24 VDC +/- 10%, Class 2 Low-Voltage
	Power Consumption	25 W
Accessories Included		Sunshade

Item	Specification
Accessories Available	DIN Rail Mount Power Supplies ( <a href="#">IZPWR</a> )
	Digital I/O Controller ( <a href="#">IZIO</a> )
	Different <a href="#">mount options</a> available
	External Illuminator ( <a href="#">IZL Series</a> )

\* LPR Capture Distance is measured from camera to plate

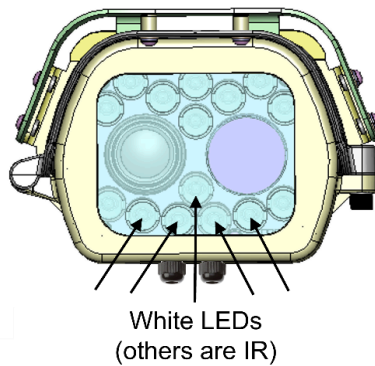
## Ordering Information

Part Number	Description
IZA500G-S-DR	5-35 ft (1.5-11 m) range, Deep Red illumination, 24 VDC input voltage
IZA500G-S-DRW	5-35 ft (1.5-11 m) range, Deep Red & Visible Light illumination, 24 VDC input voltage
IZA500G-S-IR	5-35 ft (1.5-11 m) range, Infrared illumination, 24 VDC input voltage
IZA500G-S-IRW	5-35 ft (1.5-11 m) range, Infrared & Visible Light illumination, 24 VDC input voltage
IZA500G-L-DR	30-70 ft (9-21 m) range, Deep Red illumination, 24 VDC input voltage
IZA500G-L-DRW	30-70 ft (9-21 m) range, Deep Red & Visible Light illumination, 24 VDC input voltage
IZA500G-L-IR	30-70 ft (9-21 m) range, Infrared illumination, 24 VDC input voltage
IZA500G-L-IRW	30-70 ft (9-21 m) range, Infrared & Visible Light illumination, 24 VDC input voltage

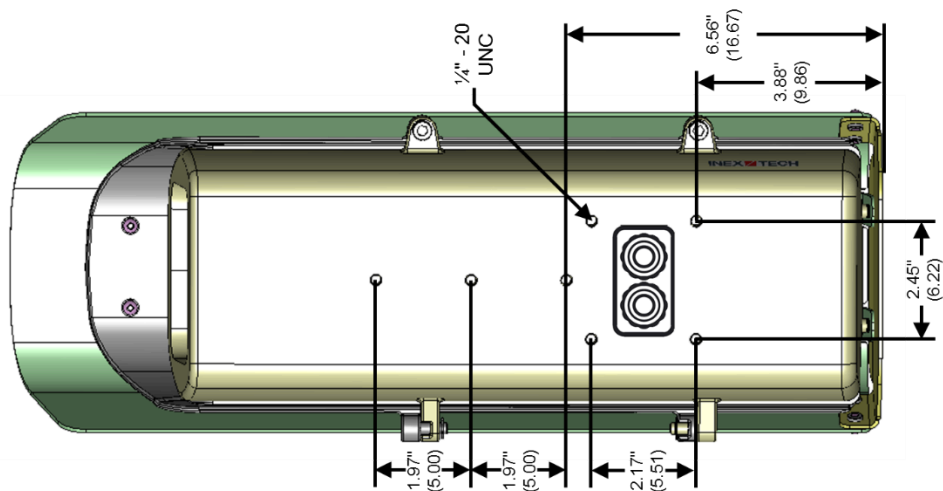
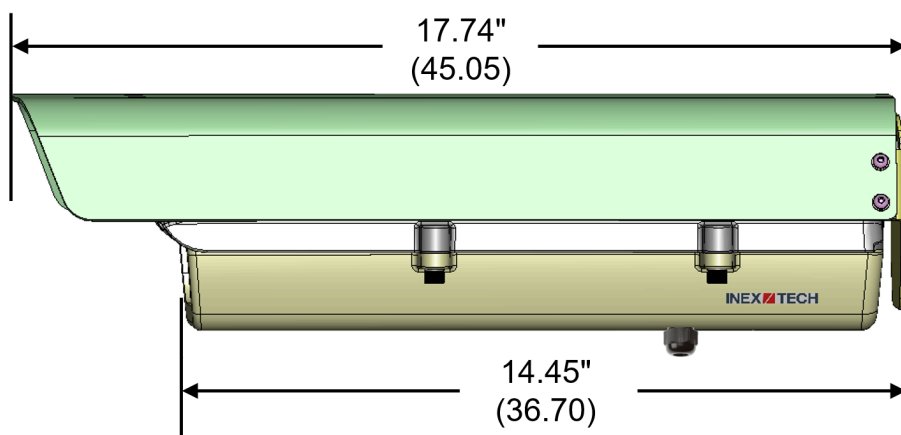
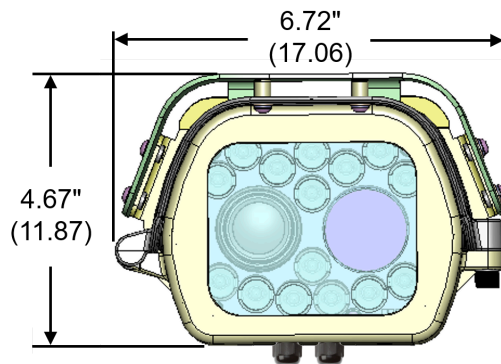
## Standard Package Contents

- IZA500G ALPR All-in-one AI Camera System

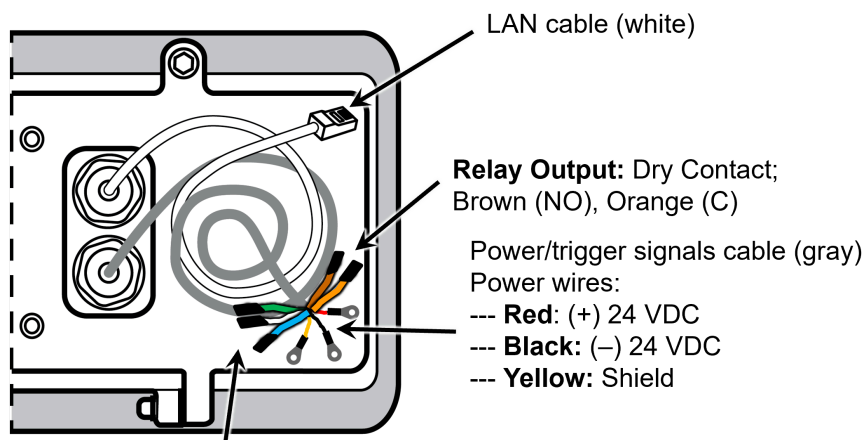
## IZA500G-S/L-DRW, IRW LED Positions



# Dimensions (inches/cm)



# LAN and Power/Signals Cable Details



Camera trigger wires (shipped with insulated ends)  
--- **Trigger Dry:** White (+), Green (-)  
--- **Trigger Wet:** Green (+5-12 V), Blue (GND)

Inex Technologies, LLC  
155 Willowbrook Blvd., Suite 130  
Wayne, NJ 07470, USA  
+1-865-671-1400  
[www.inextechnologies.com](http://www.inextechnologies.com)  
Sales@inextechnologies.com  
Support@inextechnologies.com

© Inex Technologies, LLC - All rights reserved. Specifications are subject to change without notice. All third-party trademarks are the property of their respective owners.

Doc. No. IZA500G-REV-F3-TDSHEET Ver. 2024-12-09

---

This page was built using the Antora default UI.

The source code for this UI is licensed under the terms of the MPL-2.0 license.