

IZ600F Technical Datasheet

Bullet ALPR Camera

Rev. A

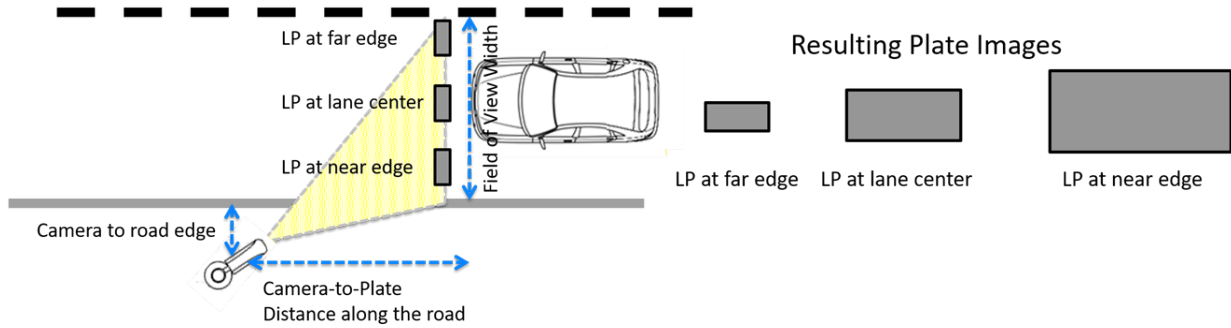


Key Features and Benefits

- ✓ Designed for Parking, Access Control and Security
- ✓ Compact design for flexible installation and ease of operation
- ✓ Cost-effective solution with everything you need for ALPR
- ✓ Motorized zoom and auto-focus – the key to optimized remote tuning
- ✓ Wide temperature range – operating from -4 °F to 140 °F (-20°C to 60 °C)
- ✓ IP67 ingress protection against extreme moisture
- ✓ IK10 vandal-proof housing for efficient, worry-free operation
- ✓ NDAA Section 889 compliant



Specifications



Item		Specification
LPR Imaging	Field of View (FOV)	12 ft (H) x 8 ft (V) (3.7 x 2.4 m)
	Camera to Road Edge distance	1.6 ft (0.5 m) - (typical recommended distance)
	Camera height	1.6-4.9 ft (0.5-1.5 m) - (typical recommended height)
	Camera-to-Plate Distance along the road	5-70 ft (1.5-21 m) (When installed at the recommended height and Camera to Road Edge distance)
	Pixels Per Plate width (US style plates)	Image center - 150 Near Edge - 170-260 Far edge - 80-160 (When installed at the recommended height and Camera to Road Edge distance)
	Pixels Per Plate width (EU style plates)	Image center - 275 Near Edge - 280-430 Far edge - 140-265 (When installed at the recommended height and Camera to Road Edge distance)
	Vehicle Speed Range	Up to 60 mph (0-97 km/h)
LED Illumination	Built-in Illuminator	<ul style="list-style-type: none"> IZ600F-IR: 4 Power Infrared LEDs IZ600F-DR: 4 Power Deep Red LEDs
	Beam Angle	60°x60°

Item		Specification
Image	Day/Night Mode	Day/Night/Auto
	Day/Night Switch	IR Cut Filter with auto switch
	Image Sensor	1/2.8", 3.21M, Progressive Scan CMOS
	Sensor Model	Sony IMX123
	Image Setting	Rotate Mode, Saturation, Brightness, Contrast, Sharpness
	Max. Resolution	2065 (H) × 1553 (V) (approximately 3.21 MP)
	Min. Illumination	Color: 0.05 lux, B&W: 0 lux
	Shutter	Auto, Manual (1/30 - 1/32000)
	Noise Reduction	2D-DNR/3D-DNR
	Wide Dynamic Range (WDR)	True WDR, 120 dB
Lens	Lens	5 - 50 mm, Motorized Zoom and Auto-focus
Video	Video Compression	H.264, H.265, Motion JPEG (MJPEG)
	Video Streaming	Motion JPEG and H.264 Triple Streaming (Simultaneously); Independently controllable frame rate and bandwidth
	Resolution	3 Megapixels - 2048 (H) x 1536 (V)
	Quality Control	Low Compression, highest, high, normal, low, lowest
	Bit Rate Control	VBR, CBR (H.264 only, 32K~12Mbps)
	Frequency Control	60hz, 50hz
	Frame Rate	30 fps @ 2048 x 1536
Network	Supported Protocols	HTTP, RTP/RTSP(Uni/Multicast), TCP/IP(v4/v6), UDP, FTP, Telnet, HTTPS, RARP, PPPoE, SNMP, PAP, CHAP, DHCP, NTP, SMTP client, uPnP
	Dynamic IP	Dynamic DDNS Support
	Security	IP filtering, HTTPS, Encrypted and Basic Authentication

Item		Specification
Environmental	Ingress Protection	IP67
	Operating Temperature	-4 °F to 140 °F (-20°C to 60 °C)
	Humidity	10% - 90% RH
Certifications	EMC	FCC Part 15, subpart B; CE
	Interoperability	ONVIF compliant, Profile S
	Impact Protection	IK10-rated housing (Vandal-proof)
	RoHS	RoHS
	Eye Safety	Exempt
	NDA	NDA Section 889 compliant
Physical	Dimensions (W x H x D)	(including sunshade fully extended) 3.2" x 3.3" x 12.5" (82 mm x 83 mm x 317 mm)
	Weight	~2.76 lbs (~1,250 g)
	Color	White
Interface	Ethernet	10/100 BaseT Ethernet auto sensing
	Connectors	<ul style="list-style-type: none"> • 1 x Ethernet (RJ-45 Female) • 1 x Power (DC barrel jack - Female) • Multi-wire (see the wiring assignments table)
Power	Power Supply	12 VDC (male barrel connector required) or PoE+ (802.3at)
	Power Consumption	<ul style="list-style-type: none"> • Color mode - 5 Watts • B/W mode with LED on - 10-12 Watts
Accessories Included		Camera mount, 3x axes
		Sunshade, adjustable

Item	Specification
Accessories Available	Junction Box
	POE Injector
	Network Switch
	<u>Pole mount adaptor</u>
	Different <u>power supply</u> options available
	<u>IZL Series Illuminator</u>

Ordering Information

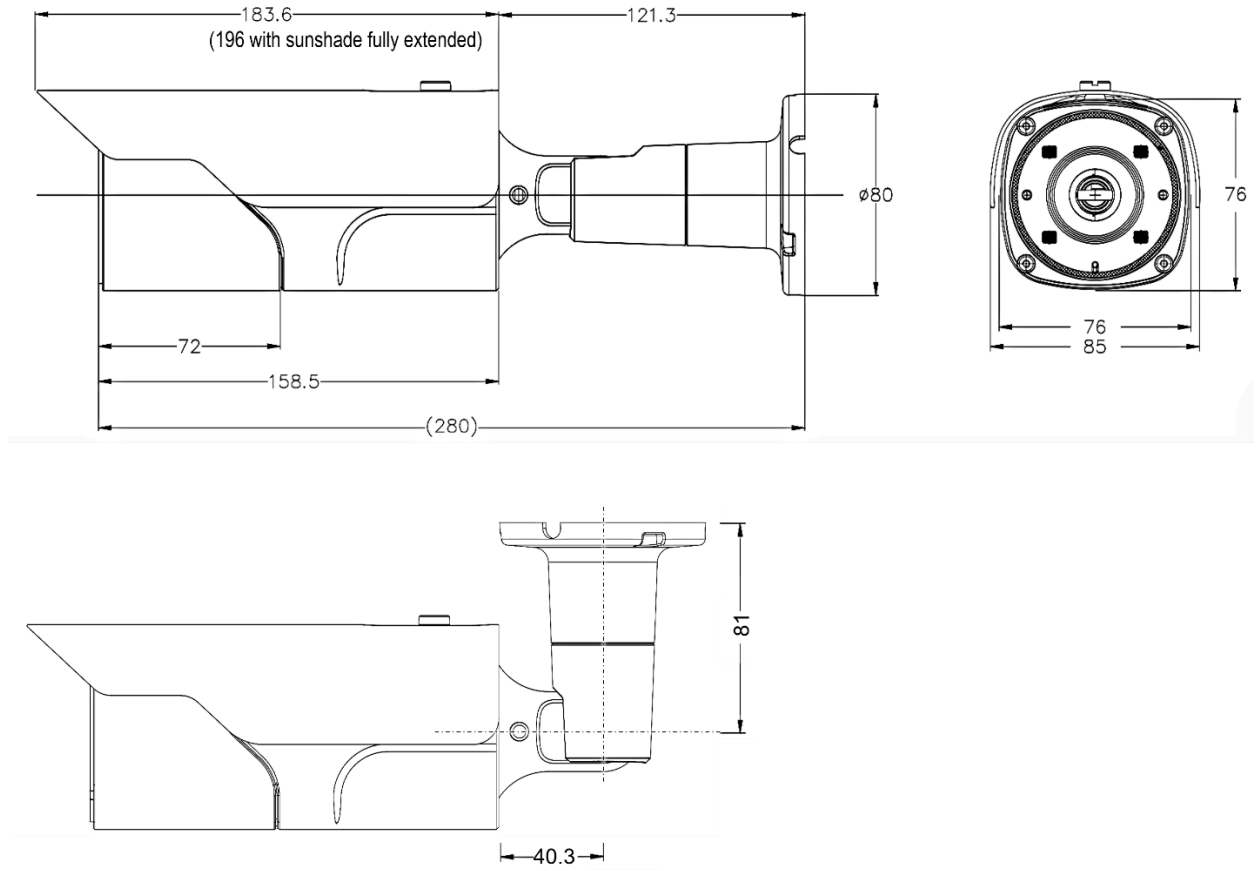
Part Number*	Description
IZ600F-IR	5-70 ft (1.5-21 m) range, Infrared illumination
IZ600F-DR	5-70 ft (1.5-21 m) range, Deep Red illumination

* All models have motorized zoom and auto-focus

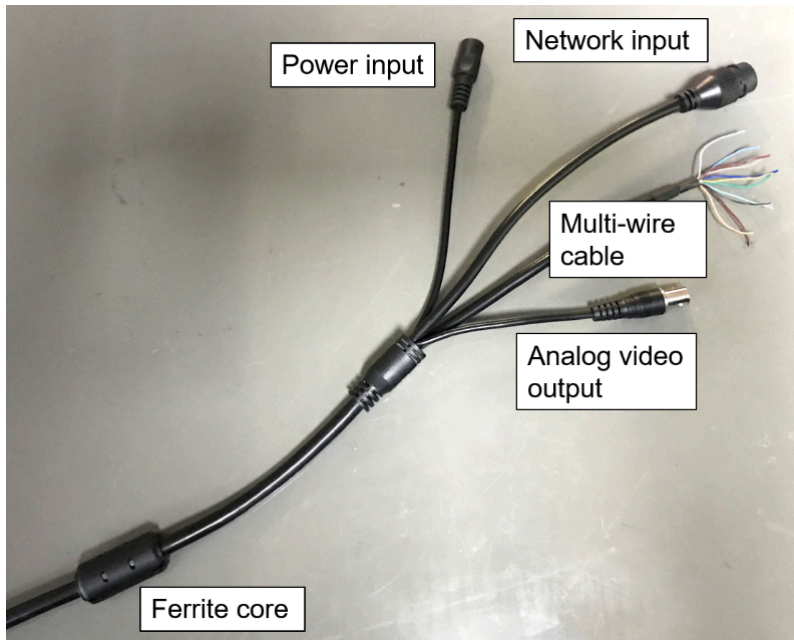
Standard Package Contents

- IZ600F, Bullet ALPR Camera with 3-axis bracket
- LAN cable connector (field-mountable)
- 3 mm Allen/hex key for pan/tilt/roll adjustment
- Screws and anchors to attach the camera to a wall or surface

Dimensions (mm)



Connectors and Wiring Assignments (Pinout)



Connectors
Power input (for 12 VDC) - female barrel connector 5.5 mm outer diameter, 2.1 mm inner pin diameter
RJ-45 network input connection
Multi-wire cable (not used)
Analog video output (BNC connector)

Inex Technologies, LLC
155 Willowbrook Blvd., Suite 130
Wayne, NJ 07470, USA
+1-865-671-1400
www.inextechnologies.com
Sales@inextechnologies.com
Support@inextechnologies.com

© Inex Technologies, LLC - All rights reserved. Specifications are subject to change without notice. All third-party trademarks are the property of their respective owners.

Doc. No. IZ600F-REV-A-TDSHEET Ver. 2024-12-09

This page was built using the Antora default UI.

The source code for this UI is licensed under the terms of the MPL-2.0 license.