

FEATURES & BENEFITS

- Dual-Credentialing Means The License Plate Becomes A Second Form Of ID
- Access Control Rules Can Be Applied Based On The Vehicle
- Seamless Integration: All User Data And Decision-Making Stays With The Existing Access Control System
- Eliminate Bottlenecks And Congestion Concerns At Facility Entry Points
- Optional Wiegand Format Output Available For Integration With Most Access Panels

INEX/ZAMIR's IZACCESS FACILITY ACCESS CONTROL INTEGRATION SOLUTION, employing the world's premiere vehicle identification technology, provides the ability to immediately grant or deny access to a facility based on identification of the vehicle.

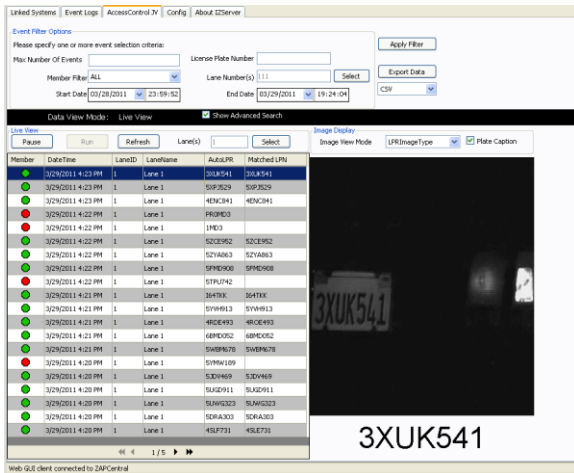
Each vehicle's uniquely identifying license plate can be instantly read as the vehicle approaches an entry gate. Within the access control system infrastructure the **IZACCESS FACILITY ACCESS CONTROL SOLUTION** works as a second card reader system, permitting the user to easily control access on a vehicle by vehicle basis.

Using the vehicle as the credential requires no interaction from the driver, virtually eliminating wait times and bottlenecks stemming from the need to stop and show or swipe an ID badge.

Seamless integration with the existing access control system also means no additional employee training is necessary. All data is stored on the existing access control system, which controls all access decisions. For added flexibility, the **IZACCESS FACILITY ACCESS CONTROL SOLUTION** allows optional Wiegand format integration that works with most existing access control systems' access panels.

Building on its foundation of solid technology partnerships, INEX/ZAMIR's **IZACCESS FACILITY ACCESS CONTROL SOLUTION** is already an integrated solution with world-class access control system providers such as **Lenel, Software House, EasyLobby, PSCS** and **ABDi**, with other integrated solutions underway.

Let us know how INEX/ZAMIR can help your organization with your automatic vehicle identification for access control needs today.

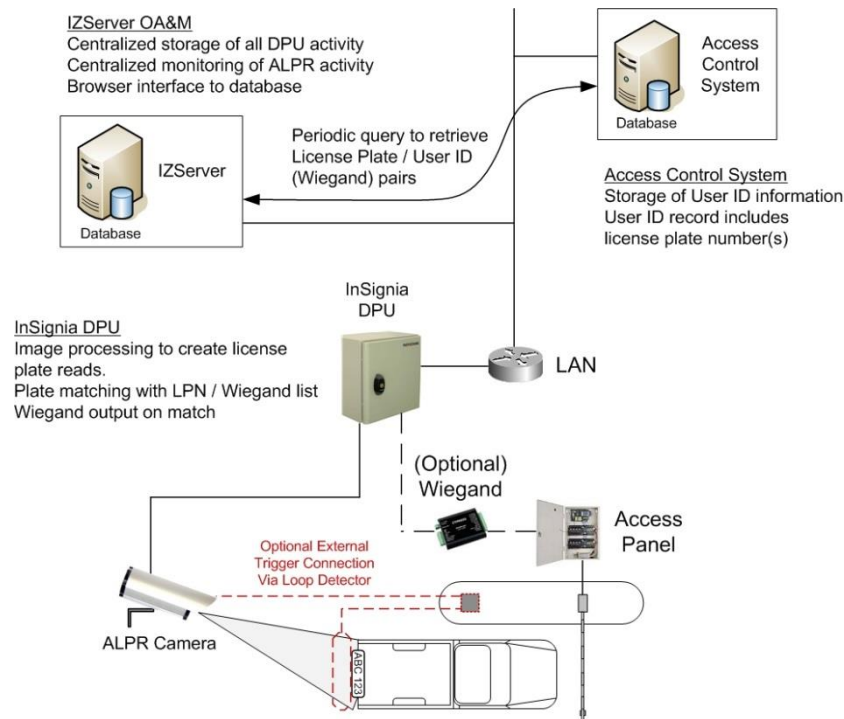


IZACCESS Access Control Solution Interface



IZ1000 Imager Covering A Wide Access Lane

IZACCESS ACCESS CONTROL SOLUTION



IZACCESS ACCESS CONTROL SOLUTION SYSTEM COMPONENTS

	IZ500 Series Imager	<ul style="list-style-type: none"> ✔ Designed For Access Control, Security And Law Enforcement ✔ Users Move From Reactive To Predictive Security Postures ✔ Integrations With OnSSI, Verint, NICE, Vicon, VidSys, Others
	IZDPU or IZODPU Data Processor Unit	<ul style="list-style-type: none"> ✔ Combines Multi-Imager Connections With Minimal Network Data Output ✔ Indoor Unit: 1U Chassis As Rackmount Or Panel Mount ✔ Outdoor Unit: Small IP66 Enclosure Located At Edge With Imager(s)
	IZACCESS Software	<ul style="list-style-type: none"> ✔ Designed For Corporate/Government Facilities, Gated Communities ✔ Dual-Credentialing, Entry Point Bottleneck/Congestion Relief ✔ Integrations With Lenel, Software House, EasyLobby, Others

ABOUT INEX/ZAMIR

INEX/ZAMIR has been supplying proven ALPR (Automatic License Plate Recognition) / ANPR (Automatic Number Plate Recognition) technology since 1993. We are the resource that organizations around the world turn to for license plate reader cameras and tailored solutions. Using advanced IR (infrared) LED technology, INEX/ZAMIR solutions effectively capture license plate data from passing vehicles in real time at any time, day or night.

For More Information On INEX/ZAMIR's IZAccess Solution, And All Our Other System Components And Solutions, Please Contact INFO@inexzamir.com or call 865-671-1400 (for US) or +972 (2) 545 1000 (For International).